

Please turn to Page 10  
for Roger Fisher's poem  
"Throw it Away"

# FALLS CITY JOURNAL

Vol. 153 - No. 39

Falls City, Nebraska

Wednesday, September 30, 2020



Julie Fiegner, CMC Director Imaging and Chelsey Anderson, both registered technologists.

## COMMUNITY MEDICAL CENTER ANNOUNCES NEW 3-D MAMMOGRAPHY MACHINE

In February, Community Medical Center CEO, Ryan Larsen shared the County Health Rankings and how Richardson County ranked with overall health and wellness. The first rankings were in 2010 and Richardson County was ranked as the least healthy county in Nebraska. Since then, the county has made slow but

steady progress to number 51 (out of 93 counties).

CMC took this progress as heartening, according to Larsen, as the latest reports showed significant opportunities for continued improvement. The county scored poorly for indicators that tend to reduce risks from cancer

(Please turn to Page 3)

## FCPS STAFF MEMBERS AND STUDENT TEST POSITIVE FOR COVID SOME STUDENTS ASKED TO QUARANTINE

On Tuesday, September 22, 2020, The Falls City Public School confirmed one staff member and one student testing positive for COVID-19 within School District 56; then on Monday, September 28, 2020, another staff member was confirmed to have tested positive for COVID-19.

Some Falls City Public School students were asked to quarantine at home as a precaution for themselves and other students'

safety.

"Everyone requiring quarantine has been notified," said Falls City Public School Nurse, Jenny Helmick. "There are many different settings in a school that would place a person within six feet for a cumulative time period of fifteen minutes. If both people in this situation do not have a mask on, then those individuals will be asked to quarantine themselves. The only way out of quarantine is if the COVID positive person and the individual around that person are both wearing a mask."

Helmick assured the *Journal* that parents need not be concerned at this time. "Most people testing positive for COVID think it is just allergies," said Helmick. "Please take the time to screen yourself and students prior to coming to school." She added, "Parents should screen their children prior to coming to school every morning for two or more of the following: fever (measured or subjective), chills, cold/shivering, muscle pain, headache, sore throat, nausea, vomiting, diarrhea. At least one of the following:

(Continued on Page 18)

## SACRED HEART TO SERVE FREE MEALS AS PART OF COVID CHILD NUTRITION RESPONSE WAIVER #56

Falls City Sacred Heart Catholic School has been notified through the Nebraska Department of Education that the USDA will allow the school to serve free meals due to the COVID-19 Child Nutrition Response-Waiver #56.

As an extension of the Summer Food Service Program, all preschool through twelfth grade children qualify for free meals on days when school is in session through December 31, 2020, or until available USDA funding runs out.

The program allows Sacred Heart School to credit the full pay and reduced student meal accounts retroactive to the first day of school, August 13, 2020.

If the funding runs out before December 31, meals will revert back to full pay, reduced, or free as determined by current guidelines.

Under current guidelines, this program will not be in place for the second semester. Meals are provided to all children regardless of race, color, national origin, sex, age or disability. All families who have not completed a free and reduced application are encouraged to do so for the 2020-21 school year, however, this is not required to receive the free meals. "USDA is an equal opportunity provider."

## FIVE BLOCKS OF LANE STREET TO BE BLOCKED OFF FOR TRICK OR TREATING

By Charlie Radatz

In the absence of Mayor Shawna Bindle, 3rd Ward Councilmember Mitch Merz, the city council president, presided at the Council's very brief Mon. Sept. 21 Council meeting, only four votes were taken. The Council voted 7-0 with councilman Derrick Leyden absent to grant a request from a representative for Lane Street residents, Jessica Santo of 2222 Lane Street, that city barricades be put up to close Lane Street to auto traffic from 21st to 26th Streets between the hours of 6:00 p.m. and 9:00 p.m., on Halloween, Sat., Oct. 31. Ms. Santo furnished the Council a letter signed by residents supporting closing the street to automobiles and off-road vehicles such as golf carts to limit the possibility of any child becoming injured while trick or treating for Halloween in that area, long a popular target of trick and treats. Lane residents will participate in a porch lighting contest in conjunction with Halloween, and she reported she had spoken to principals of both Falls City North School and Sacred Heart Schools and both agreed, as she put it, "the kids need this" because of the recent Covid-19 restrictions on group activities. Trick or Treating is permitted under the most recent COVID rules issued by Governor Pete Ricketts. She also invited residents of other portions of the city to use the median in

that five-block area to distribute candy to youngsters if they so desire. Ms. Santo said Farm and City Ace Hardware, Dorr and Clark Funeral Home, and the Sunmart have all agreed to make portions of their parking lots available for parents dropping off their children. Crossing guards will be stationed at 21st and Lane, an often busy intersection.

The Council also voted 7-0 to approve a request from Tabitha Bachman and Christian Tollefson for the use of Prichard for a wedding reception Nov. 14, 2020, with alcohol to be served. City Administrator Gary Jorn said he requires the couple to purchase a liquor liability policy to insure themselves and the city should any personal injury or property damage occur due to a person having consumed liquor at the event. He said Governor Ricketts current Covid-19 restrictions on public gathering would permit up to 300 persons to attend.

On a 6-1 vote with one absent, the Council approved on third reading an Ordinance permitting the licensing of puppies of nuisance breeds while they were undergoing obedience training. Also approved by the same margin was the routine Consent Agenda that includes approval of the minutes from the previous meeting, approval of the current meetings agenda, the police report, and the treasurer's report.

## EARLY VOTING IN PERSON FOR GENERAL ELECTION BEGINS AT THE RICHARDSON Co. COURTHOUSE ON OCTOBER 5

Early Voting in person begins for the General Election on Monday, October 5, 2020, and will be available at the office of the Richardson County Clerk, Room 203, Courthouse, in Falls City.

Anyone who is unable to go to their regular polling place for any reason can request an "Ear-

ly Voting Ballot". These ballots can be mailed to voters upon the receipt of an application or a written request signed by the voter or their agent and delivered to the Office of the County Clerk. "Early Voting Ballots" can also be picked up in person and voted at the Office of the County Clerk beginning Octo-

ber 5, 2020 through November 2, 2020 during regular business hours.

Application form for "Early Voting Ballots" is published in today's *Falls City Journal* (Page 10) or go to the Richardson County website [www.co.richardson.ne.us](http://www.co.richardson.ne.us) home page.

(Please turn to Page 3)



**2020 FALLS CITY SACRED HEART HOMECOMING ROYALTY:** After the Sacred Heart win over Johnson Brock, Danielle Bippes and Kyle Bauman were crowned king and queen. L-R: Morgan Mattan, son of Howard and Misty Jochum; Kailey Peeks, daughter of David and Jamie Peeks; Jack Fiegner, son of Francis and Julie Fiegner; Elle Froeschl, daughter of David and Katie Keithley and Eric and Rachel Froeschl; Blake Dougherty, son of Mike and Lisa Dougherty; Queen Danielle Bippes, daughter of Mark Bippes and Kim Kruse; Kyle Bauman, son of Matt and Julie Bauman; Claire Davidson, daughter of Loren and Mary Davidson and Del Casteel, son of Mark and Stephanie Bippes. (Photo by Brian McKim)

## CONTENTS

From the Journal Files...Page 3  
Public Record.....Page 6  
Sports..... Page 10 & 11  
Obituaries.....Pages 8 & 9  
Classifieds..... Pages 17-16

\$1.00



© 2020 Falls City Journal, LLC  
All Rights Reserved

**2017 LINCOLN MKC**  
Select • 19,000 Miles  
Front Wheel Drive  
\$25,900



**HULLMANS  
FORD**  
402-245-4413  
FALLS CITY, NE  
[WWW.HULLMANSFORD.COM](http://WWW.HULLMANSFORD.COM)

# HUNTING AND FISHING IN NEBRASKA

By Governor Pete Ricketts

The crisp, cool air in the mornings and evenings signals the start of fall in Nebraska. It's the time of year when many Cornhuskers head outdoors to hunt and fish. On September 26th, Nebraska will join the nation in celebration of National Hunting and Fishing Day. This important day has extra significance in Nebraska, where hunting and fishing are part of our cultural fabric. For generations, dads and moms have been taking their children to tree stands and creek banks to teach them how to hunt and fish.

For many, hunting or fishing is a relaxing way to spend a day with friends and family. These activities give Nebraskans the opportunity to unwind from the work week, explore the natural beauty of Nebraska, and spend quality time together. They also present the opportunity to pass along a love of the outdoors to the next generation. My son Roscoe and I go on an annual turkey hunt together, and we've made many fun memories on our trips together.

Whether you're a seasoned veteran or beginner, Nebraska offers abundant opportunities to hunt deer, turkey, and upland game. There are deer in every county of Nebraska, and our state has been the site of some legendary trophy bucks. In 1962, Del Austin of Hastings took down a 39-point whitetail with his bow, setting a Pope & Young world record that would stand for nearly 40 years! The impressive buck, nicknamed "Old Mossy Horns," has become part of Nebraska hunting lore and still ranks fifth all-time among whitetails. Ten years ago, Kevin Petrzilka of Brainard shot a huge, 17-point whitetail buck in Saunders County. With typical antlers measuring 198 2/8 inches, it was named one of the 20 Best Bucks of the Decade (2010s) by Field & Stream magazine.

Nebraska is also one of the nation's top destinations for turkey hunting. Wild turkeys have become plentiful statewide since being reintroduced by the Commission in 1959. Currently, Nebraska has two turkey hunting seasons, and the birds can be found in every county of the state. Last October, I headed to Dawes County for the Governor's Pine Ridge Wild Turkey Hunt near Chadron. The Turkey Hunt is a wonderful example of a creative initiative that invites tourism to our state. It showcases the scenic landscapes of northwest Nebraska, puts visitors in contact with wildlife, and allows tourists to enjoy one of Nebraska's greatest attractions—its kind-hearted and hospitable people. While the hunt's events are postponed this year, I look forward to other turkey hunting opportunities this fall.

In addition to having plentiful habitat for deer and turkeys, the grasslands of Nebraska host a diversity of upland game species. Ring-necked pheasants, bobwhite quail, sharp-tailed grouse, and prairie chickens all make their home here in the Cornhusker State. The late Lynn Berggren of Broken Bow, who served on the Nebraska Game and Parks Commission from 2008 to 2016, was a champion of creating opportunities for pheasant hunting. In 2016, the Commission launched its Berggren Plan for Pheasants. Its ambitious goals were to improve pheasant hunting by increasing pheasants, increasing hunter access to land holding pheasants, and increasing the number of pheasant hunters. Since the plan's inception, the State has completed 2,100 projects with private landowners, positively impacting more than 187,000 acres of habitat throughout the pheasant range.

If you want to pass along your love of the outdoors to young Nebraskans, there are several opportunities available for you. This fall, the Nebraska Game and Parks Commission is sponsoring its Take 'em Hunting program for a second year. It encourages Nebraskans to pass on their passion for hunting by taking a friend, neighbor, or family member along for the experience. To participate, snap a photo during your hunting trip and submit it online at [outdoornebraska.gov/takeemhunting](http://outdoornebraska.gov/takeemhunting). You'll be eligible to win gift cards, hunting gear, and the grand prize—a camo John Deere crossover utility vehicle.

The Nebraska Game and Parks Mentored Youth Archery Program is another great opportunity for young hunters to gain skills under the guidance of a veteran hunter. The program is open to bowhunter education graduates who are 12 to 17 years old. Hunters are paired with qualified instructors for a full archery season. Mentors show participants how to scout, hang tree stands, interpret animal signs, and safely handle the animals they harvest. For more information, visit [outdoornebraska.gov/mentoredhunts](http://outdoornebraska.gov/mentoredhunts).

Nebraska also boasts nearly 450 lakes and streams that are open to public fishing. Anglers can fish for walleye, channel catfish, rainbow trout, largemouth bass, and more. We stock more than 50 million fish each year. With fall trout stockings, great fishing opportunities await in the coming months. Our online 2020 Fishing Forecast will help you find out where the fish are biting ([outdoornebraska.gov/fishingforecast](http://outdoornebraska.gov/fishingforecast)).

Hunting and fishing are extremely important to our state's economy. They have an annual economic impact of over one billion dollars and support nearly 12,000 jobs. Many of our rural communities, in particular, benefit from the tourism of hunters and anglers who visit our state for these outdoor pastimes.

Purchases of hunting and fishing permits help fund the stewardship of our state's fish and wildlife, and increasing interest in these activities will help grow more opportunities for Nebraska's sportsmen and women. If you'd like to learn more, visit the Nebraska Game and Parks Commission's website at [outdoornebraska.gov](http://outdoornebraska.gov). When you go to the blind or pond this fall, consider taking someone new with you. Sharing your passion helps other Nebraskans experience the joys of hunting and fishing, while providing fun and excitement for all.



## INCIDENT MANAGEMENT TEAM CAN BE A LIFE-SAVER

Capitol View  
Nebraska Press Association  
By: J.J. Schmidt

The left coast is on fire and the right coast and parts of the South are being whipped by tropical storms.

Fire danger in Nebraska is high as well with more drought-ridden acres burned so far than in some years.

But, thanks to cooperative and collaborative efforts, the Cornhusker State is handling matters better than ever.

The Nebraska Forest Service says about 25,000 acres have burned and that's on the high side of average. Two big fires were sparked in one of the driest Augusts ever. The Hubbard Gap fire burned 4,000 acres in the Wildcat Hills of Banner County and the Aristocrat Fire burned 400 acres south of Chadron on state forestland.

The good news, it could have been much worse had it not been for teamwork between local and state agencies. Volunteer fire department chiefs in both incidents said they learned --from the fires that burned more than 500,000 acres in 2012 -- to call for help early on. Still, six volunteer firefighters were injured in the Hubbard Gap fire, which also prompted two emergency evacuations.

In response to the 2012 fires, the 2013 Nebraska Legislature allocated extra funds for more equipment and training. Now, the administration of Governor Pete Ricketts has taken one more all-important step and created a fully operational Type 3 All-Hazards Incident Management Team.

No, it's not just another committee. It's not a bunch of people running around with clipboards and file folders and attending meetings. This IMT is the real deal, considering the involvement of the Nebraska Emergency Management Agency, the State Fire Marshal's office, the Nebraska National Guard and the Nebraska Forest Service.

Ricketts said the new Incident Management Team is helping better coordinate Nebraskans to provide leadership during extended emergencies including wildfires, floods, and other disasters. It will be most useful when communities face challenges beyond the capabilities of local responders.

Hopefully the IMT will eliminate the red tape and the hesitancy to call for help that has plagued the system in the past. It is supposed to work at the scene of a disaster to coordinate a response along with the State Emergency Operations Center at NEMA and federal partners, if needed, to secure resources and personnel that exceed a local jurisdiction's capabilities.

It's touted as a commitment to build strong partnerships. Local jurisdictions, often stretched to the limits in finances and time management, can now request that the State directly manage the disaster response. The team will be responsible for coordinating efforts in the wake of wildfires, floods and other disasters. A bonus is that the team can engage individuals with specialized training for a quicker response.

Officials with the Nebraska National Forests & Grasslands are urging visitors to help prevent wildfires because fire danger is rated as very high. The agency has reported a total of 11 fires this year, four caused by humans, and seven by lightning. Visitors should be aware

of fire restrictions and know that target shooting and use of power equipment can spark a wildfire. Campfires should be kept small, fully extinguished and never left unattended. Fireworks and exploding targets are not allowed on national forest system lands.

State Fire Marshal Chris Cantrell calls the IMT "a major milestone towards Nebraska being capable of assisting its citizens in their greatest time of need."

I'd say that's great news, perhaps the best so far from this unusual year.

J.J. Schmidt has been covering Nebraska government and politics since 1979. He has been a registered Independent for 20 years.

## STATEPOINT CROSSWORD THEME: OKTOBERFEST

### ACROSS

- Worry
- Fleur-de-\_\_\_\_\_
- One of Egyptian christians
- Nary a soul
- Dot-com address
- Pretend, two words
- Flogger's tool
- Romanian money
- Dostoyevsky's masterpiece, with The
- \*Royal Brewery in Munich, a.k.a. \_\_\_\_\_ M,nchen
- \*Original Oktoberfest location
- Tree juice
- Cathedral part
- Lysergic acid derivative, acr.
- Children's author Roald
- Bivouac
- Heroic poem
- Taro or cocoyam, technically
- Relish taste buds' sensation
- Russian governmental agency
- Musketeers' weapons
- Presidential "No!"
- Make corrections
- Kind of palm
- A in B.A.
- Indian Ocean's saltwater inlet
- Carvey or Plato
- "Sesame Street" watcher
- One-horse carriage
- Sunday newspaper inserts
- \*Kind of Oktoberfest band
- \*Salty snack
- Meltable abode
- Go wrong
- Sore spot
- African prairie
- "Wheel of Fortune" vowel request
- All-season ones, on a car
- Affirmatives
- Beaver's construction
- Noise of contempt

### DOWN

- Egyptian hieroglyph for "life"
- "You're not allowed!" to a baby
- Mistake
- Spurns
- Between triad and pentad
- Comic strip Moppet
- Anger management issue
- Economic crisis
- Ghana monetary unit
- Ear-related
- Tubby little cubby
- Ted Turner's TV acronym
- Bedding and towels
- Lickety-split
- Wear and tear
- "So soon?"
- \*\_\_\_\_\_hosen
- Sea foam
- Like United States Capitol
- \*Flower used in beer-making
- Spanish sparkling wine
- Deflect
- \*"O'zapft is!" or "It's tapped!"
- \*Cheers!
- Without, ‡ Paris
- Start of something big?
- Echo sounder
- Joseph Stalin was one
- "Eureka!"
- Experts
- In the lead
- \*Beer garden mug
- Curved molding
- Paella pot
- '60s British teenagers
- "Hunger Games" sister
- Goose egg
- Second to last word in a fairytale
- Just in case
- Woody creeper
- Biochemistry acr.



**OMAHA STEAKS**  
SINCE 1917

GET THE GRILLER'S BUNDLE  
INTRODUCTORY PRICE: \$79<sup>99</sup>

- 4 (5 oz.) Butcher's Cut Filet Mignon
- 4 (4 oz.) Boneless Pork Chops
- 4 (4 oz.) Omaha Steaks Burgers
- 4 (3 oz.) Goumet Jumbo Francks
- 4 (2.5 oz.) Potatoes au Gratin
- 4 (4 oz.) Caramel Apple Tartlets
- Omaha Steaks Seasoning Packet

+ 4 MORE BURGERS FREE  
THAT'S 30 COURSES + SIDES & DESSERT!

ORDER NOW! 1.833.406.1259 ask for 6328100J  
[www.OmahaSteaks.com/family588](http://www.OmahaSteaks.com/family588)

© State-Point Media

FRIENDS OF THE LIBRARY SPONSORED  
**FARMERS MARKET**  
THURSDAYS 4-6 PM • SATURDAY, 9-11 AM  
South parking lot of the library  
We would like to welcome back our returning vendors and invite new vendors to sell their garden produce, jewelry, crafts, baked goods, and/or other homemade items. Each space is \$5 per day. Reservations are welcome but not required. Patrons are encouraged to support our local vendors and our Friends of the Falls City Library. Contact Emily Thompson at 402.245.8479. \*State Guidelines will be enforced\*

**Falls City Journal**  
U.S.P.S. 184-980  
ISSN 1074-3480  
1709 Stone St., Falls City, Neb. 68355  
Phone (402) 245-2431  
Fax (402) 245-4404  
Combined with the Falls City Daily News  
News Est. Jan. 1, 1875  
Journal Est. Jan. 6, 1867  
Falls City Journal, LLC Est. Sept. 1, 2017  
Published Weekly on Wednesday  
Except Memorial Day, Independence Day, Labor Day, Thanksgiving Day, Christmas and New Year's may be printed on a different weekday.  
Member of the Nebraska Press Association and, National Newspaper Association.  
Postmaster: Send address change to:  
The Falls City Journal  
1709 Stone St.  
Falls City, Neb. 68355.

**Falls City Journal, LLC**  
[www.fcjournal.net](http://www.fcjournal.net)

**STAFF DIRECTORY**  
Richard Halbert.....Publisher  
Ron Dodds.....Backshop Foreman  
Nikki McKim.....News releases, Advertising, Legals & Classifieds.....[nikkifcj@scentco.net](mailto:nikkifcj@scentco.net)  
Chelsie Alexander.....Business Manager  
Subscriptions.....[chelsiefcj@scentco.net](mailto:chelsiefcj@scentco.net)  
Brian McKim.....Sports  
.....[brianmckim@yahoo.com](mailto:brianmckim@yahoo.com)

**SUBSCRIPTION INFORMATION**  
Falls City or Mail Subscriptions within  
50 Miles of Falls City - \$45.00/yr, 50 to 150 miles away - \$50.00/yr.,  
Over 150 miles away - \$55.00/yr. E-Edition FREE with One Year Subscription to Print Edition **ONE PER HOUSEHOLD**.  
Subscription to ONLY the E-Edition ONLY \$40.00/yr.



**50 Years Ago - Sept. 30, 1970, to Oct. 5, 1970**

Health officials in Richardson County scheduled a series of free immunization clinics to prevent the forecasted outbreak of German measles.

John Fischer was appointed to become the new administrator at Humboldt Community Hospital.

This week's movies at the Rivoli Theatre included "tick..tick...tick" and "The Lawyer."

The Breezy Hill Drive-In double feature included "Crimson Cult" and "Horror House."

The Rev. H.M. Bidenweg gave failing health as his reason for resigning after having served for 26 years as pastor of St. Peter's Evangelical Lutheran Church, northeast of Falls City.

European corn borer damage was showing up in scattered cornfields in Richardson County.

Two bulk storage tanks exploded and fire ripped through a Brown County Co-op bulk tank storage area southwest of Hiawatha, requiring five fire companies to quell the blaze.

The Bulldogs were 4-0 after a 26-12 victory over the Tigers at Auburn.

Lourdes Central blocked a Humboldt punt in the third quarter. Recovered it in the end zone and made a 2-point conversion to force an 8-8 tie in the Cardinals' homecoming football game.

Tiger cross country runners won a home dual with Nebraska City 16-22 thanks to a second-place finish by Ralph Arnold, 3rd place by Rex Stice, and 5th, 6th, and 7th place finishes respectively by Ted Godemann, Chuck Whitney, and Tim Woods.

A Terry Vice field goal put Southeast out in front 3-0 early in a home game with Sterling to see the Jets claim a 7-3 victory after recovering a fumble on the Mustangs 2-yard line.

Ralph Huettnner, Falls City, suffered a severely fractured leg when his motorcycle collided with a car on the Missouri River Bridge at Rulo.

Armbruster Mobile Homes, 16th & Barada, was holding its grand opening this week.

Fred Henney, Graham, MO, won the Trade Territories Horseshoe Tournament championship at City Park.

Southeast Nebraska Telephone Co. was laying underground telephone cables to Salem, Verdon, Stella, and Shubert.

**25 Years Ago - Sept. 30, 1995, to Oct. 5, 1995**

O.J. Simpson was found not guilty of two counts of murder in the deaths of his ex-wife, Nicole Brown Simpson, and her friend, Ron Goldman.

Homecoming royalty at Dawson-Verdon, Queen Dawn Taylor and King Jason Dean.

Mike Castle was elected president of the Falls City Educational Foundation.

County Road crews were working on minimum maintenance roads to help area farmers as the Fall harvest was getting underway.

Construction was underway on a new building to house equipment of the Rural Falls City Fire Department.

The D2 #1 ranked Sacred Heart Irish extended their football winning streak to 82, coming from behind to defeat D1 #3 ranked Southeast Consolidated 20-18, scoring the winning touchdown on a pass from Irish QB Brandon Sells to Casey Symonds with just 2 seconds left on the clock.

The Falls City Tigers picked up their fourth straight victory defeating Savannah, MO, 28-8 in a game in which senior QB Darcy Zimmerman threw two TD passes, had key runs leading to 2 other scores, and added every point-after.

The Southeast Consolidated Mustang volleyball team led by all-state candidates Cheryl Patchen and Janelle Findlay were 11-1 atop the Pioneer Conference standings after winning the Tecumseh Invitational, defeating Nemaha Valley in two sets and defeating both Sterling and Tecumseh in three sets.

Dawson-Verdon's only points came on a pass to freshman Erick Martinez and a two-point conversion run into the endzone by junior David Koso in a 56-8 Homecoming loss to Odell.

Bob Curfman, Humboldt, took first place in a horseshoe tournament at Dallas Jones Park.

RN Amy Nussbaum was honored as Community Hospitals "Caring Kind Employee of 1995".

It was 4-H Week and Extension Agent Gerald Hopp pointed out that 4-H was no longer only about "cows and cooking" but much more, like computer science, conservation, rocketry, genealogy, veterinary science, and public speaking.

**15 Years Ago - Sept. 30, 2005, to Oct. 5, 2005**

On the first day of the new school year, 80 fewer students were in attendance at Falls City High than a year earlier on the same day, a trend that began a decade earlier.

County Commissioners voted to set the county tax levy at .413266 per \$100 of taxable valuation, up from .395425 of the previous year.

The Falls City Gas Utility warned consumers that retail natural gas prices could increase by as much as 30% during the upcoming heating season.

Ken Kunce and Lori Rathje, operators of Falls City Pharmacy, announced they would soon be opening a Radio Shack store at 1610 Stone Street.

Dave Campbell of Leavenworth, KS, got a hole in one on the Par 3 184 yard Hole #14 during the Edwin S. Towle III Memorial Golf Tournament.

UTEP safety Joe Fleskoski (son of Joe Jr. and Chris Fleskoski and grandson of Joe and Margie Fleskoski and Jeannine Cowan, Falls City) returned a critical interception for 68 yards in UTEP's 21-13 win over New Mexico.

Laura Thames scored 16 points and Kali Schnacker was 20-of-20 serving with 16 points as the HTRS volleyball team improved to 9-6 by beating Nemaha Valley in three straight sets.

River Twin Cinema was showing "Just Like Heaven" and "Exorcism of Emily Rose."

Jenny Koelzer scored 16 points, Liz Bieker had 12, and Katelyn Wheeler 11 as the Lady Irish improved to 9-4 in a five-set victory over NC Lourdes.

The FCHS softball team was 8-14 after losing five games by one-run heading into District play.

Over \$3,000 was raised to restore the Candlelight Cabin by a Chuck Wagon Barbecue at Stanton Lake Park.

Della Meyer announced that a Richardson County Arts & Humanities Council was being formed to celebrate and capitalize on the rich cultural heritage of the County.

Pledges of \$75,000 were received to add a "splash ground" at the Aquatic Park on which construction was about to begin.

A new estimate put the cost for constructing the Library and Arts Center at \$2.9 million and an application for a Peter Kiewit Foundation grant was authorized.

Funeral director Ben Hall and his wife, Amanda, operators of funeral homes in Falls City and Auburn, volunteered to help victims of Hurricane Katrina in Baton Rouge, LA.

Careage Management, LLC, announced it had acquired Midland Villa, renamed the facility Careage Estates, and appointed Ruth Sands-Jerk as its administrator.

**BLOODMOBILE VOLUNTEERS NEEDED TO GIVE BLOOD**  
**Thurs., Oct. 1**  
**12:00 to 6:00 P.M.**  
**Fri., Oct. 2**  
**9:00 to 3:00 P.M.**  
**Prichard Auditorium**  
**Falls City**  
**For an appointment, call this correct number at 402-245-3227 or go to www.redcrossblood.org.**

# CMC announces acquirement of new 3-D Mammography Machine

*(Continued from Page 1)*  
 and heart disease. These include higher than average rates of smoking and obesity, lower levels of physical activity, and much lower rates for basic screening, like mammograms and colonoscopies. When looking solely at health behaviors, Richardson County still received one of the lowest scores in the state.

As Community Medical Center was on the verge of launching proactive measures to improve overall health and wellness, the Corona Virus (COVID-19) hit our community, state, nation and world. Fast forward seven months later, Larsen states today, "This report has not been forgotten and CMC is getting back on track and taking action. All of these are issues we can do something about. Additionally, we have shown over the last decade that we can improve by working together and being persistent."

As identified in the report, Women's Health Issues were a priority. Larsen confirmed that the hospital sees women's health as an opportunity. "In discussions with our doctors and community groups, we think improving women's health could have a big impact—both for the women themselves and for their families—since women are often both caregivers and the drivers of health behaviors in their families. Further, we're finding that the hospital and other organizations can and need to do more to support the health of women."

Community Medical Center is proud to announce a vital first step, the investment of a new 3-D mammography unit. This new unit performs Tomosyn-

thesis (3D) screenings, which allow for more efficient and accurate mammograms. Getting a mammogram is the same for the patient, but results are more accurate due to the upgraded technology. With expert CMC technologists, the radiologist is able to see the breast tissue in thin layers, rather than one flat image. Julie Fiegner, CMC Director of Imaging, says, "The 3-D mammogram shows us pictures of the breast tissue in thinner slices, so it's similar to being able to read each page of a book and get the full story."

Larsen said that the hospital is working with the health department and local health care organizations for Women's Wellness with mammography, cardiovascular screenings, fitness, behavioral health and more. We have the potential to benefit a great number of women and families."

October is Breast Cancer Awareness Month. Community Medical Center asks all women to talk with their providers about getting a mammogram and other wellness exams. It is recommended women age 40 and over should have a mammogram every one to two years. Call the CMC Imaging Department at 402-245-6556 to schedule your mammogram.

# Early voting in person for Election begins at the R.C. Courthouse on October 5

*(Continued from Page 1)*  
 The deadline for those persons who would like to vote in the November 3, 2020, General Election and who have not previously registered to vote in Richardson County is Friday, October 23, 2020. Voter registration is done at the Office of the County Clerk during regular business hours, and on Friday, October 23rd the office will remain open until 6:00 p.m. Voters can also register at <http://ne.gov/go/NEreg2vote>.

The deadline for any voter registration form other than in person is Friday, October 16. Voters may check their registration at <https://www.votercheck.necvr.ne.gov> or by contacting the Richardson County Clerk's Office at 402-245-2911.

Address changes and name changes due to marriage are encouraged to be changed before November 3, however, these changes can be made at the polls on Election Day by voting a "Provisional Ballot".

Polling places will be open on Election Day for the precincts. And the precincts of Arago/Barada (Barada), Grant/Nemaha (Dawson), East Muddy (Shubert) and Salem (Salem) are All-Mail precincts and voters will receive ballots in the mail, ballots will be mailed to those voters on Friday, October 9.

For more information on voter registration and "Early Voting" you may contact the Richardson County Clerk's Office at 402-245-2911.

**17 OCT** **10:00 AM**  
  
**1 MAN SCRAMBLE**  
**\$55.00 INCLUDES LUNCH, SKINS & A FREE BLOODY MARY**  
**CLASSIC CLUB 8 - FALLS CITY GOLF COURSE**  
**402-245-3624**

**WEEKLY NEWS FROM JANET PALMTAG**  
 Real Experience ★ Conservative Values  
 Candidate for Nebraska Legislature, District 1  
**CASINO REVENUE: REAL PROPERTY TAX RELIEF**

I am announcing my support for achieving real property tax relief for Nebraska via casino gambling which will be on the November ballot in three initiatives – 429 (amending the constitution), 430 (authorize casinos at licensed racetracks), and 431 (designate revenue for property tax relief and to fund compulsive gamblers assistance.) In fact, I am the very first GOP candidate to support this initiative.

Appointed Senator Julie Slama opposes this real property tax relief initiative. Slama opposes expanding gambling in Nebraska.

Listening to thousands of voters across our 5-county region, I have come to believe that adding this new revenue stream is our only viable option for achieving real property tax relief. I encourage voters to vote YES on 429, 430, and 431. Let me explain.

The concluding weeks of the Nebraska Legislature in July and August demonstrated that our elected officials are simply not up to the task of real leadership. The so-called 'grand compromise' of LB1107 was simply 'too little, too late' on the topic of property tax relief. In fact, property taxes won't be reduced by even a single dollar. And appointed Senator Julie Slama opposes this real property tax relief initiative. This dismal lack of leadership has convinced me that voters themselves must take action to ensure real property tax relief. Fortunately, on the November ballot, we have the power.

The petition initiative would legalize casino gambling at six licensed horse racing locations and earmark 70% of the new taxes received into the general fund to help provide real property tax relief. An estimated \$500 million or more is being spent by Nebraskans in casinos in neighboring states – that money could stay in our state and generate as much as \$80-\$120 million in new tax revenue that could be used to aid property tax relief across the state, instead of sending it to surrounding states.

Nebraska racetrack casinos could create over 4,600 new Nebraska jobs, help defray property taxes, bolster local government budgets, and provide counseling to problem gamblers.

To be clear, I personally am not a gambler, but for some it is entertainment. I realize that some with addictive personalities can be lured into making bad choices and we must take precautions to assist them. But in my final analysis, this is our best option for real property tax relief.

Nebraskans need state senators who listen, lead and will make tough decisions. This is one of those times. The mark of a good leader is to be a good listener. I have listened and now am ready to lead on this important issue. We cannot achieve real property tax relief by kicking the can down the road. That's why I'm taking a bold stand by supporting expanded casino gambling. Money from it will go to real, lasting property tax relief.

In the Nebraska Legislature, I will continue to be a strong advocate for real property tax relief. To visit with me about this important issue, visit my website: [PalmtagForNebraska.com](http://PalmtagForNebraska.com).

**Paid for by Palmtag for Nebraska.**  
**1010 Central Avenue • Nebraska City, NE 68410**





## Slizoski-Jordening to wed this fall

Ron and Jessica Jordening and Diane Jordening are pleased to announce the engagement of their son Zachary Scott to Olivia Ann Slizoski daughter, of Steve and Valorie Slizoski.

Olivia will graduate in December with her Masters Degree in Social Work from the University of Nebraska Omaha. Zachary received his degree in Industrial Distribution from the University of Nebraska-Kearney and is currently employed at Reikes Equipment. They will make their home in Omaha, NE.

A November 14th wedding is planned at St. Isadores Church in Columbus, NE.

## Berwick Coop Oil Co. announces Ashley Shupp of Humboldt as General Manager

Berwick Coop Oil Company announced, Ashley Shupp as their next General Manager.

Shupp has most recently been serving as the interim General Manager of Berwick Oil since July of this year and previously filled the CFO role since December of 2017. Before that, she served as the Financial Controller for CJ Foods located in Bern, KS, for seven and a half years. Shupp started her career in 2005, serving as a Financial Analyst for Litton Loan Servicing in Houston, TX, and has held various financial and leadership roles throughout her career.

Shupp was born and raised five miles outside of Bern, KS, and currently resides in Humboldt, NE, with her family. She is a proud 2005 graduate of Kansas State University, receiving a BS in Business with a major in Finance and a minor in Spanish. Shupp completed her MBA

from Bellevue University in 2011.

"I'm excited to be part of building a strong future for Berwick Oil. Having grown up in the communities we serve, I understand our history and look forward to serving our local communities, patrons, and employees," said Shupp.

"We are confident in Ashley's abilities and energy to lead our cooperative as we serve our valued customers and member-owners. Ashley's financial experience and ties to the local communities we serve make her the ideal individual to lead the Berwick Cooperative Oil Company as we continue our legacy of fulfilling our customer's petroleum needs and as we evolve our cooperative to serve future generations," said Nick Aberle, Chairman of the Board.

Shupp officially assumed the General Manager role on September 14, 2020.

## SOCIETY

### Shubert's ALA Unit #222

By Elizabeth Ketner

Shubert's ALA Unit #222 met at the Shubert Library on Sept. 8, 2020. President Tana Brown called the meeting to order, and Chaplain pro-tem Linda Patchen gave a prayer for the ALA Star. The Pledge of Allegiance was repeated, "God Bless America" was sung, and the ALA preamble was recited. The meeting was declared open. Seven members answered roll call. Secretary pro-tem Elizabeth Ketner read the minutes of the Aug. 11, meeting and they were approved as read.

President Brown gave the treasurers report in the absence of that officer. There was a notation of bills paid and money received. Marilyn Capps made a motion to accept the report, and Sharon Sells seconded it. The motion carried. It was noted that the unit's books had been audited by Vicki Beilke and Mrs. Ketner and found to be in accord. No bills were presented.

Committee reports: Ms. Patchen is arranging a tour of homes for December. Money received from that goes to local VA &R. The unit has yet to select a veteran. Education: the HTRS third grade teacher is Sheri Drake and she would like ten books from the 10 for ten program. Members are paying their dues right along. No goal for membership has been set yet. It appears that the same guidelines will be used for essays as last year. The teachers in Falls City are ready to begin and HTRS will be contacted.

Sympathy cards: Mrs. Sells noted she had recently lost her husband.

The flag retirement ceremony, previously set for earlier that evening, had been canceled due to rain and cold. Mrs. Ketner hopes to set this up for October.

Potluck: Ms. Patchen said the unit could host this at the Still Centerfield building if the post's building is still out of service. The date would be Oct. 6. Mrs. Brown said she had prepared the unit's updated standing rules and would be going to department for approval soon. The unused Easter candy will be given to Headstart or church youth programs. The unit secretary, Doris Erickson, recently died, and the unit received a thank you from her church for its assistance with serving the family dinner. The Humboldt unit sent Unit 222 a sympathy card in honor of Mrs. Erickson. It was noted that the fall round-up would be Oct. 17 in Cook, with registration at 11:30 and lunch provided by their unit.

Unit 222 is now without a secretary. The executive committee will find a candidate for that office. Mrs. Ketner is filling in temporarily. Member Lana Willman will have surgery later in Sept. It was noted that the proper title of the unit is Shubert Unit #222, American Legion Auxiliary. Mrs. Ketner reminded members that she is collecting UPC codes from Our Family products for HTRS. There was a suggestion from the department that units donate cookies, etc., to police stations as a symbol of appreciation. President Brown will find out more about this, as some places will not accept homemade

## Fisher House opens for Veterans, Military on Omaha VA Medical Center Campus; brings new service to Nebraska Veterans

The VA Nebraska-Western Iowa Health Care System in partnership with Fisher House Foundation opened a Fisher House Sept. 9, adding another extremely valuable resource on campus for area Veterans and their families.

The Fisher House features 16 fully furnished suites in a two-story 13,000 square foot facility that will serve as a "home away from home" for the families of Veterans and military service members receiving treatment at the Omaha VA Medical Center. The Fisher House was constructed by Fisher House Foundation and gifted to the U.S. Department of Veterans Affairs. Construction for the project began roughly one year ago and marks the 88th such facility constructed by Fisher House Foundation. It is the first one built in Nebraska.

"This is another exciting addition to our Omaha VA Medical Center campus that will provide our Veterans and families with an unprecedented level of comfort and ease of mind as their Veterans or military service members receive the medical care they need and deserve," said B. Don Burman, Director of VA Nebraska-Western Iowa Health Care. "We cannot adequately express our gratitude to Fisher House Foundation and all of those who made this facility possible. What you are doing in support of our Veterans and military service members is something that should make all Americans extremely proud."

"Fisher House Foundation is thrilled about opening this house in Omaha, the first in Nebraska," said Chairman and CEO of

items.

Monetary assignments were discussed. Gift shop, veterans home, and gifts for Yanks were some of the many. Mrs. Ketner made a motion to send money to three of them, with a second by Mrs. Capps. Other possibilities will be gone over in October.

Last year the unit purchased 1300 poppies. It was decided to do the same this year. Extras could be used to make tray favors for local nursing homes. A letter from the department commander was read, where he stressed showing appreciation to law officers. There was a suggestion to send cards of thanks to the law, fire, and first responders, etc.

The charter will be draped at the October meeting in honor of Mrs. Erickson. It was noted that serviceman Mike Kuker has retired, Andy Kelsay is in Italy, and Isaiah Lockard is in Basic Training. Names of local service members will be collected for Christmas cards.

The next meeting will be on October 13 at the library. The meeting was adjourned, Ms. Patchen gave a prayer from the Star, and the meeting was closed.

Fisher House Foundation Ken Fisher. "The people of Omaha understand the contributions Veterans and their families have made to this great nation. This new home is their way to honor that service and sacrifice."

Along with the 16 fully furnished suites, the Omaha Fisher House includes a large dining room, library, living room, fully stocked kitchen and laundry facilities, and an exterior patio. Each of the suites includes a private, wheelchair-accessible bathroom.

According to Colleen Vonderhaar, Omaha Fisher House Manager, the staff is eager to serve area Veterans and their families. "We are extremely excited to open this amazing home up to our Veterans and families and begin providing them a level of peace and comfort as their loved-one undergoes treatment here at the Omaha VA Medical Center," Vonderhaar said. "Our goal is to provide our guests with a level of comfort and service that will allow them to better focus on supporting the needs of their loved-one. This amazing house will allow us to do just that."

A virtual tour of the Fisher House is available at <https://www.facebook.com/watch/?v=627527951285506>.

Fisher House Foundation is best known for its network of comfort homes where military and veterans' families can stay at no cost while a loved one is receiving treatment. These homes are located at major military and VA medical centers nationwide, close to the medical center or hospital they serve. Fisher Houses have up to 21 suites, with private bedrooms and baths. Families share a common kitchen, laundry facilities, a warm dining room and an inviting living room. Fisher House Foundation ensures that there is never a lodging fee. Since inception, the program has saved military and veterans' families an estimated \$500 million in out of pocket costs for lodging and transportation.

**We have a SUN-Sational apartment just for you!**

- 1, 2, and 3 bedroom apartments
- All electric - NO gas
- Water, sewer and garbage paid

**BURBANK APARTMENTS**

2704 Chase Street, Falls City, NE 68355

Office Phone: (402) 245-2483 - TDD# (800) 833-7352

Applications are available at the office

or by visiting [Costelloco.com](http://Costelloco.com)

"This Institution is an Equal Opportunity Provider"



**We are Pleased to Announce the Following Engaged Couple have Registered their Bridal Requirements with Us.**

**November 28**

**Allie Bierman**

and

**Matt McCann**

**True Value**

START RIGHT. START HERE.  
1519 Stone St., Falls City  
Phone 245-2725

**Our Bridal Registry Consultant is Ready to Assist You in Selecting the Perfect Gift.**



## Cultivating A Relationship

As a community Ag bank, we understand agriculture and we're local. We've been supporting local area producers, farmers and growers for a long time. So, when it comes to cultivating a relationship, bank with us.

**frontierbank**

WISHES EVERYONE A SAFE AND BOUNTIFUL HARVEST

A better way to bank.



## DRIVE THRU FLU SHOT

## CLINIC AT FAMILY MEDICINE

Cost of Flu Shot-\$28; High Dose-\$55, available for ages 65 & older. Medicare will pay for the flu shot.

**Wednesday, October 7 - 4:00 p.m. 7:00 p.m.**  
**& Wednesday, Oct. 21- 4:00 p.m.-7:00 p.m.**

Families with Children under 10 years may be asked to come inside. Please wear a mask and a loose fitting short sleeved shirt. Flu shots will be available to everyone. Please bring a copy of the front and back of your insurance card.

**FOLLOW THE SIGNAGE FOR DIRECTIONS.**

**WALK IN FLU SHOT CLINICS**

Every Monday-Wednesday-Friday from 9:00a.m.-1:00p.m. Starting October 12th.



# Richardson County Farm Family Awards presented at the Richardson County Fair

Richardson County Farm Family Awards were presented at the Richardson County Fair on Saturday, September 19. Four families were presented awards for continuous family ownership of their farmsteads. Volunteer awards were also presented during the presentation.

The Heritage Farm Family awards go to the applicants who can show continuous family ownership for at least 150 years. In this category, the Cornelius Family Farm was awarded.

The southeast quarter of section 32 in Porter Township was originally acquired by Joseph K. Cornelius in 1861.

The farm has grown to 880 acres and is currently owned by Mark and Barn Stappenbeck and Kurt and Pat Stappenbeck the great grandchildren of Joseph K. Cornelius.

The Cornelius family was not in attendance for the presentation.

The Richardson County Ag Society was presented awards for years of Volunteering for the Richardson County Fair. Awards were presented by Todd Mayer, Ag Society Board Member to the following:

Charlie Crook (20), John Cander (25), Kristy Fischer (25), Sarah Nims (25), Betty Stauffer (25), Terry Glathar (3), Alan King (30), Tom Standerford (40), June Hayward (45), Joe Standerford (45), Jeane Standerford (50), Glenn Hayward (65), Jim Standerford (75).

President Brenda Frederick asked for a moment of silence as a tribute to Jeane Standerford who passed away in 2020. Jeane was a very active member volunteering for service, 50 years, to the Richardson County Fair both with the Ag Society and the Humboldt Chamber Coronation program.

Duaine Stalder, Curator for Quad County Historical and Research Society aka Quad County Museum, Humboldt, received the History Nebraska - Heritage Hero award from Lance Bristol, President of Board of Trustee of History Nebraska during the fair.

Duaine Stalder is curator of the Quad County Museum in Humboldt. The museum has been in existence for 10 years, and Duaine has been there from the beginning which includes the days when there wasn't even a building to house historic items.

The museum is housed in a smallish former bank building. Duaine is currently superintending an expansion project to the second floor, an area which has not been used for years. He has become an architect, carpenter, electrician, painter for the undertaking.

Duaine shows up at the building almost daily. Sometimes he is there to accept a donation or to show the museum to someone with an interest or to continue the remodel with his hammer. As a lifelong resident of the area, he has a firsthand knowledge of many events and people from the past. He delights in



Quentin Bowen (right) presented Keith and Brenda McKim The Heritage Family Farm Award during the Richardson County Fair. The award was presented to Porter Township and the Brenda McKim Family Farm established in 1870 - 150 years ago. The 240 acre farm was originally owned by James Corwin Fergus in 1870 and then his son Frank Fergus and his wife May. Later it was passed to Frank and May's daughter, Helen McKim and her husband Orval. In 2014 James Fergus' great-grandson, Keith McKim and his wife Brenda took ownership of the farm. The farm currently produces corn, soybeans and cattle.



Andy Dunn (right) presented Susan Brown, her daughter Geri and her children Noah and Ellie the Pioneer Award during the Richardson County Fair. The Pioneer Family Farm Awards are for farms that have been owned within the same family for at least 100 years. The Rieschick Family Farm, located just north and east of Falls City Airport, this farm was purchased by W. F. Rieschick in 1919. In 1963 the farm transferred ownership to his daughter Katheryn Rieschick Wengelzel then on to a nephew, Albert Rischick and his wife Margie in 1964. In 1985 the farm was acquired by current owners, Susan Rieschick Brown and Jane Rieschker Petersonn, who are grandnieces to the original owner, W. F. Rieschick.



Bradley and Cheryl Rausch received the Pioneer Family Farm Award from Andy Dunn while Quentin Bowen announced it to the crowd at the Richardson County Fair. Brad Rausch's great-grandfather, John Rausch Sr., purchased a 160 acre farm on March 15, 1915 for \$144 per acre. It was later passed down to his son Albert and then to Albert's son Wayne. Wayne began working this farm the day after his return from WWII, and never stopped until his death, nearly 70 years later. Over the years, the farm has had cattle, hogs, sheep, chicken, ducks, horses, dogs and cats. It's raised corn, soybeans, milo, wheat, alfalfa, and clover and has been the home to generations of Rausch children. (All photos were provided by Sandy Stalder)

tracking down a significant date or identifying the location of a no-longer existing building.

His interest and love for preserving the past goes beyond the ordinary. His abilities have made the Quad County Museum

possible. He is a great example of someone who is using his retirement years to best advantage. Duaine Stalder is deserving of being named a Heritage Hero. (Information submitted by Sandy Stalder)



**Falls City Middle School August Act of Kindness (AOK) Winners**, L-R: Caitlyn McConnell, Sixth Grade; Emmett Daake, Seventh Grade and Malesa Wickham Eighth Grade. These students were nominated by other students and adults at Falls City Middle School for demonstrating acts of kindness during the school day. Each month students and staff make nominations and students then vote anonymously for one act of kindness from each grade level that goes above and beyond.

## ACCIDENTS

On September 18, 2020, according to accident reports, witnesses state that a vehicle driven by Ethan Nycum, owned by Brett Nycum, of Rulo, backed south out of a parking stall and struck a vehicle owned by Gabrielle Holcomb, of Falls City, with passenger side rear fender causing damage. It was stated that Nycum allegedly got out looked at the damage and then drove away. An estimated \$1,500 in damage was done to the Holcomb vehicle; no damage was done to the Nycum vehicle. Nycum was issued a citation.

**CIVIL WAR REENACTMENTS**  
**OLD TIME AUTUMN**  
 BROWNVILLE, NE  
 OCTOBER 10 • 10AM-5PM

Come Spend the Day!  
 Enjoy autumn foliage, artists and craftsmen. An Educational Living History Event for the Whole Family!

**FEATURED EVENTS**

- CIVIL WAR REENACTMENTS
- ENJOY MUSEUMS OF BROWNVILLE
- SIGHT-SEEING TOUR ON THE SPIRIT OF BROWNVILLE
- CRAFTS & SKILLS TO TRY
- BICUTS & GRAVY AT THE TOWN HALL
- LOTS OF ACTIVITIES FOR THE ENTIRE FAMILY!

[brownvillehistoricalsociety.org](http://brownvillehistoricalsociety.org)

## SENIOR LIVING TO THE FULLEST

Enjoy a private apartment and leave the chores to us, we'll take care of the cooking, cleaning, laundry and yard work so you have the freedom to do the things you enjoy like hobbies, crafts, traveling and socializing with friends.



For adults who value their independence with personal care when and how you need it.

**Call us now!**  
**402-245-6033**

**Jonesbrook Estates, LLC**  
**Assisted Living**

<https://www.jonesbrookestates.com/>

**PREVENTING THE FLU.....**  
**STARRING YOU!!**  
**FLU SHOT CLINICS**

**WHERE:** Falls City Family Practice, P.C.  
 1423 Stone Street, Falls City, NE 68355

**WHEN:** Thursday, October 1, 2020  
 7:30 a.m. to 5:30 p.m. AND  
 Every Monday in October  
 3:30 p.m. to 5:00 p.m.

*No appointment necessary*

**Cash Price \$25.00 for ALL private pay**  
 (fee will be collected at time of service).

We will bill insurance directly for all Insured, Medicaid and Medicare patients. Please bring your insurance card/s and an up to date medication list with you.

The Backpack Program is teaming up with Helping F.C. Nebraska Medical Supplies. During the month of October, if you make a donation at Heritage Falls Candles (1614 Stone Street) to the Backpack Program you will receive a free Nebraska Mask or Mask of your choosing. (Adult & Children sizes available)

The Backpack Program provides children with nutritious, kid-friendly foods to be used over the weekend or during holidays. These shelf-stable items, including meals and snacks, are easily prepared by children with working parents or they simply provide an extra source of food for food insecure households.

For more information contact:  
 Cheryl - 402-883-7309  
 Karen - 402-245-4451



**Editor's Note** - dismissal *without prejudice* means the government did not waive its right to litigate the matter in a subsequent action). Fined \$50, plus Court costs of \$49.

**Editor's Note** - dismissal *with prejudice* bars the government from prosecuting the accused later on the same charge).

**Legend drug** means drugs that are approved by the U.S. Food and Drug Administration (FDA) and that are required by federal or state law to be dispensed to the public only on prescription of a licensed physician or other licensed provider.

**COUNTY COURT**

Tara M. Tackett, count one, violate protection order, plead no contest, found guilty; count two, violate protection order, charge dismissed on the motion of the prosecutor with prejudice; count three, violate protection order, charge dismissed on the motion of the prosecutor with prejudice; count four, violate protection order, charge dismissed on the motion of the prosecutor with prejudice; count five, violate protection order, charge dismissed on the motion of the prosecutor with prejudice; count six, violate protection order, charge dismissed on the motion of the prosecutor with prejudice. Case continued to October 28, 2020 for sentencing.

Sarah J. Lunsford, count one,

leave accident-fail to furnish info-first, plead not guilty. Case continued to October 26, 2020 for entry of plea.

**DISTRICT COURT**

Melanie A. Beemer, count one, possess controlled substance, plead not guilty; count two, possess marijuana one ounce or less-first offense, plead not guilty. Case continued to October 13, 2020 for pretrial.

Matthew L. Gilbert, count one, attempt of a class four felony, plead guilty, found guilty. Case continued to October 13, 2020 for sentencing.

Paige N. Frederick, count one, possess (meth) amphetamine 10-27 grams, plead not guilty; count two, possess money while violate 28-416 (1), plead not guilty; count three, possess controlled substance, plead not guilty; count four, possess controlled substance, plead not guilty; count five, possess or use drug paraphernalia, plead not guilty. Case continued to October 13, 2020 for hearing.

Amanda M. Teixeira, count one, possess controlled substance, plead not guilty; count two, possess or use drug paraphernalia, plead not guilty; count three, possess or use drug paraphernalia, plead not guilty. Case continued to October 13, 2020 for hearing.

Jordan A. Lunsford, count one, del/dsp/dst/man/pos except haz drug, plead not guilty;

count two, possess firearm while commit felony, plead not guilty; count three, del/dsp/dst/man/pos cntrl subs-sch I, plead not guilty; count four, possess or receive stolen fire arm, plead not guilty; count five, possess controlled substance, plead not guilty; count six, possess controlled substance, plead not guilty; count seven, possess money while violate 28-416 (1), plead not guilty; count eight, possess controlled subs w/o tax paid, plead not guilty; count nine, possess or use drug paraphernalia, plead not guilty; count ten, possess or use drug paraphernalia, plead not guilty. Case continued to November 17, 2020 for pretrial-further hearing.

Donald A. Baxter, count one, del/dsp/dst/man/pos except haz drug, plead not guilty; count two, possess controlled substance, plead not guilty; count three, commit child abuse negligently/no injury, plead not guilty; count four, possess K2/synthetic one oz or less-first offense, plead not guilty; count five, possess or use drug paraphernalia, plead not guilty. Case continued to November 17, 2020 for Pretrial.

**CITATIONS**

Utpal Patel, of Plano, TX, count one, speeding 16-20, plead guilty, found guilty and fined \$125 and court costs of \$49.

Jason Stitt, of Tyler, TX, count one, speeding 11-15, plead guilty, found guilty and fined \$75 and court costs of \$49.

John Kuhns, of Blue Springs, MO, speeding 16-20, plead guilty, found guilty and fined \$125 and court costs of \$49.

Roger Rodriguez, of Omaha, NE, speeding 11-15, plead guilty, found guilty and fined \$75 and court costs of \$49.

**ACCIDENTS**

On September 23, 2020, according to police reports, at 7:39 AM. Richardson County Deputies investigated a one vehicle accident at Hwy 67 and 716 Rd near Shubert. Names of the parties involved were not released. No injuries were reported.

**RC SHERIFF'S OFFICE  
REPORT RETRIEVED  
FROM SOCIAL MEDIA**

**ALL SUSPECTS ARE INNOCENT  
UNTIL PROVEN GUILTY.**



On September 23, 2020, Richardson County Deputies arrested 32 year old Kimberly Hoagland of Humboldt, on a warrant for 3rd Degree Assault. Hoagland was booked into the Richardson County Jail.



On September 22, 2020, Richardson County Deputies arrested 36 year old Brady Osthoff of Falls City, on a warrant for two counts of Assault and a charge of using a weapon to commit a felony. Osthoff was booked into the Richardson County Jail.



On September 19, 2020, Richardson County Deputies arrested 21 year old Sean Meyer of Falls City, on a Contempt of Court warrant X's 2. Meyer was booked into the Richardson County Jail.



On September 18, 2020, Richardson County Deputies arrested 25 year old Precious Phillip of Omaha, on warrants out of Douglas and Sarpy counties. Phillip was booked into the Richardson County Jail.

On September 22, 2020, Richardson County Deputies arrested 39 year old Matthew Gilbert of Rulo, on a Cass County warrant for Fines and Costs and a Richardson County warrant for a Court Commitment. Gilbert was booked into the Richardson County Jail.

A	N	G	S	T		L	I	S		C	O	P	T	
N	O	O	N	E		U	R	L		L	E	T	O	N
K	N	O	U	T		L	E	U		I	D	I	O	T
H	O	F	B	R	A	U		M	U	N	I	C	H	
		S	A	P		A	P	S	E					
L	S	D		D	A	H	L		E	N	C	A	M	P
E	P	O	S		C	O	R	M		S	A	V	O	R
D	U	M	A		E	P	E	E	S		V	E	T	O
E	M	E	N	D		S	A	G	O		A	R	T	S
R	E	D	S	E	A		D	A	N	A		T	O	T
			S	H	A	Y		A	D	S				
	O	O	M	P	A	H		P	R	E	T	Z	E	L
I	G	L	O	O		E	R	R		P	E	E	V	E
V	E	L	D	T		A	N	I		T	I	R	E	S
Y	E	A	S			D	A	M		S	N	O	R	T

**GATEWAY DERMATOLOGY PC**  
"Quality Care by Caring Professionals for Over 30 Years"

**(800) 659-1147**  
CLINICS HELD MONTHLY AT  
Friend: OCTOBER 7  
Nebraska City: OCTOBER 15

MOHS SKIN CANCER SURGERY  
GENERAL DERMATOLOGY  
DERMATOLOGIC SURGERY  
COSMETIC DERMATOLOGY  
LASER HAIR REMOVAL

8101 O St., Ste S111 - Lincoln, NE  
www.gatewayderm.com

**BUSINESS SERVICES**

**TICHY LAND SURVEY COMPANY**  
402-657-6832  
"For all you're surveying needs"

We Install Original Factory Replacement Glass Only  
All Glass in Stock For Immediate Installation

**Jim Hill's**  
402-245-4444 or 1-800-232-6556

1619 Chase St.

**KD Kobza Dental, P.C.**  
Family and Implant Dentistry  
**J. TRAVIS KOBZA, D.D.S.**  
NEW PATIENTS WELCOME  
(FORMERLY KNOWN AS PARKSIDE DENTAL)  
1901 CHASE ST., FALLS CITY NE  
402-245-2243

HOMETOWN FLORAL & GIFTS  
1605 Stone St.  
Falls City  
(402) 245-2200

**Bob Bachman's Home Improvements**  
For Your Total Building Needs  
Siding • Roofing • Decks  
Remodels • Wood Flooring  
Installation of Ceramic, Granite, and Marble Floors and Countertops  
66064 703 Trail, Rulo, NE  
402-245-4693

**Dr. Eric McPeak**  
Your Hometown Optometrist  
Comprehensive Eye Care  
Your vision is important to us.  
Please call for your complete eye exam.  
1823 Chase Street  
Falls City, NE  
(402) 245-2017 - Falls City  
(785) 742-3021 - Hiawatha

**BLETSCHER TRUCKING**  
Dump Truck Work  
Rock • Sand • Gravel • Lime  
40 Years Experience  
402-245-5540  
Cell 402-245-7294

**Falls City Sanitation Service, Inc.**  
Always Prompt and Dependable Service  
Ph. 245-4545 or 245-4929  
MARK AND BILL HARKENDORFF

**JAMES MURPHY CONSTRUCTION**  
"Building your dreams one nail at a time"  
New Home Construction, Remodeling, Decks & Kitchens  
James L. Murphy  
402-245-4406  
Cell: 402-202-8288  
Fully Insured

**RAM EXTERMINATORS**  
For All Your Pest Control Needs  
Termites, and Inspections  
Insects, Rodents, Bed Bugs  
Jared Crider  
Owner-Operator  
402-245-2966  
or Toll Free 888-395-3377

# Different ways kids can give back

Children can learn about the importance of giving back at an early age. Youngsters who become accustomed to volunteering and supporting charities may be more inclined to continue doing so as they get older.

Parents magazine reports that the number of parents with young children who are volunteering and getting involved has increased in recent years. As family schedules continue to be busy, charitable work done as a family unit can be an ideal way to spend time together and engage in activities for the greater good.

Kids can get involved in many different charitable efforts. Quite often children are forward thinkers and innovators and may have their own unique ideas in regard to volunteering or charitable work, but the following are some ways kids can get involved in giving back.

- **Donate food.** Children can easily gather food to donate to a food pantry in the area. Set aside a bag to donate and pick one item for the donation bin each time the family visits the supermarket. When the bag is full, deliver it to an organization in need. Children also may work with their schools to have a collection box on campus and encourage other families to donate.

- **Participate in a "walk" or "run."** Walks or runs for a cause are popular events in which participants solicit pledges tied to their performances. While these are traditionally group efforts, COVID-19 may change the way future walks are organized. Participants may be able to do a walk or run on their own and still raise funds for local charities.

- **Be a buddy.** Children can be paired up with a senior at a nursing home, a child at a children's hospital or even a kid who is new to the neighborhood and hasn't yet made school friends. Companionship can be a great gift.

- **Get involved in a cleanup campaign.** Picking up litter from parks, beaches, streets, and even around school grounds can be a great foray into volunteer work. Go beyond just removing trash. Organize a planting event or remove brush and weeds as well.

- **Collect funds.** Children can learn the joy of charitable giving by starting small. Keep a change collection jar at home and toss change from shopping excursions or coins they may find while out and about in the community. When the jar is filled, cash in the coins and donate to a charity of your child's choosing.

Children can begin learning about the benefits of being charitable individuals at a young age when their parents introduce them to volunteerism and other ways to give back.

www.fallsjournal.com

## Fire Prevention and Safety!

Do you know what we do?

We are your community's firefighters. We visit schools to talk to students about fire prevention and safety. We make the school building safe from the outside and inside of the fire. We may cook a brownie, but we don't eat it. We're here to help you.

This is a card for you to use to talk with your family about fire prevention and safety. Cut it out and hang it on your refrigerator!

Find the 12 words or phrases in bold in the list. Then place them into the puzzle!

### Family Fire Safety Checklist

- Don't cook in the kitchen when an adult is helping you.
- Don't touch matches, lighters or candles. They are for ADULT use only.
- Do you have smoke detectors in every level of your house? Test them monthly and change the batteries at least once a year.
- Do you know how to turn gas off of the house?
- Never use electrical (plugging) machinery if there is a fire.
- Smoke rises, so if there is a fire stay low and crawl under the door.
- Have you practiced a plan to escape the home of your family and you are out of the house?
- Once you are out of the house, stay out of the house.

Can you fill in the missing letters to name fire fighting equipment?

1. \_ \_ \_ \_ \_
2. \_ \_ \_ \_ \_
3. \_ \_ \_ \_ \_ \_ \_ \_ \_
4. \_ \_ \_ \_ \_
5. \_ \_ \_ \_ \_ \_ \_ \_
6. \_ \_ \_ \_ \_
7. \_ \_ \_ \_ \_ \_ \_ \_

We're learning to climb to new heights by putting out fires every day!

### The Great Chicago Fire (And the Lessons We Learned)

Read about the fire to fill in the crossword puzzle!

1. Have you ever heard of the Great Chicago Fire? \_\_\_\_\_ (1871?)
2. It was a fire so big and out of control that it burned almost a whole town of the \_\_\_\_\_ and even jumped across the Chicago River!
3. One story says that it started when a woman, named Mrs. O'Leary, went to her barn to milk a cow and the cow kicked over her \_\_\_\_\_ (The story was made up by a reporter; what started the fire is unknown)
4. The buildings in the city were mostly made of \_\_\_\_\_ and were built very close together so it was easy for the fire to spread.
5. It is said that people didn't react right away and that the \_\_\_\_\_ were slow to fight a different fire for the day before and made some mistakes.
6. The black cow had just kicked a bucket of kerosene for the waterworks. The bucket had spilled the kerosene to light the fire and the \_\_\_\_\_ was lit off.
7. Finally, after ten days, the fire burned out. Over \_\_\_\_\_ (12,000) \_\_\_\_\_ killed hundreds of people and leaving about 90,000 homeless.
8. Today, most of the buildings that don't \_\_\_\_\_ are \_\_\_\_\_ (It is still there today)
9. Today, we teach children in the city to stay low and use \_\_\_\_\_ to escape the house.
10. Firefighters today all wear helmets and have \_\_\_\_\_ that help them fight fires more quickly.

Whoopsie!

Fun fact: Some early fire extinguishers were like lightbulbs filled with powdered chemicals; people would throw them into the fire.

The above service is being provided by the following:

### SAPP BROS.

We deliver all your needs. If we have it we can deliver. Excluding fuel and propane. Need dinner tonite call us.

402-245-5300  
DELIVERY HOURS  
11:00 A.M. - 9:00 P.M.

1521 Harlan Street, Falls City, NE

### Heritage Falls

Candles & Gifts

Flavors of the month!  
25% OFF - Caramel Corn,  
Cinnamon Coffee &  
Fall Foliage.

Gift Certificates Available  
Free Local Delivery Free Gift Wrap

Mon. - Fri. 10 A.M. - 5 P.M. • Sat. 10 A.M. - 1 P.M. or Later  
1614 Stone St., Falls City • 402-245-3443

### JONES AIR CONDITIONING

120 W. 16th • (402) 245-3526

**NEW Lennox 'Merit'**  
**Furnaces and Air Conditioners**  
Competitively Priced

Navien Tankless Water Heaters,  
Oxyx Shower, and Lavatory Products.  
Plumbing fixtures and supplies.

WE INSTALL • FREE ESTIMATES

1705 Chase, Falls City 402-245-4661

Plumbing • Heating • Cooling

- Kitchen Cabinets
- Granite™ Quartz Countertops
- Ceramic Tile Installation
- Custom Showers
- Lawn Irrigation
- Sewer Roofing & Video Inspection

### General and Family Dentistry

NEW PATIENTS WELCOME

"WE CARE ABOUT YOU AND YOUR SMILE"

C. R. James, Jr., D.D.S., P.C.

2107 Stone St., Falls City, NE 68355  
402-245-4122

### STATELINE PROPANE SERVICE, INC.

- Locally Owned and Operated
- CETP Trained Employees
- Monthly Routes
- Rental and Portable Tanks
- New Installs

1-800-511-0928  
402-855-2355  
64016 705 Rd. - Dawson, NE 68337

### Heritage Falls

Candles & Gifts

**BUY 1 WARMER  
GET 1 PACKAGE  
OF QUBES FREE!**

Mon. - Fri. 10 A.M. - 5 P.M. • Sat. 10 A.M. - 1 P.M. or Later  
Gift Certificates Available-Free Local Delivery & Gift Wrap

1614 Stone St.,  
Falls City  
402-245-3443

### SAC & FOX

TRAD'N POST

OPEN 7 A.M. - 8 P.M. Mon. - Sat.  
8 A.M. - 6 P.M. Sunday

HUNT BROTHERS PIZZA,  
CHEAP FUEL & SMOKES

309 North Main St., Reserve KS 66434  
785-742-2037

FALLS CITY JOURNAL

Thank You to all  
our Advertisers and  
subscribers for supporting  
us through this time.  
We appreciate you!  
Stay well!

# OBITUARIES

WWW.FCJOURNAL.NET

## Rex Strickland

Rex L. Strickland, age 87, formally of Cozad, passed away on September 24, 2020, at Christian Homes in Holdrege.

Rex was born August 18, 1933, at Moorefield, Nebraska to Edward and Bertha (Pearson) Strickland. The youngest of seven children. The eighth being Jackie Sue. Rex attended school at Cozad.

On December 10, 1952, Rex married Janice Gutschow at North Platte, Nebraska. Following their nuptials, the couple resided in Lexington before making their home in Cozad in 1962. Rex worked at the hay mills in Darr and Cozad before eventually came to work at Monroe Auto Equipment Company for many years until he had to retire due to health.

Rex loved to spend time fishing in the early years taking his kids with him. The kids would use the old cane poles to fish with at the sandpits South of Cozad. Rex also loved hunting ducks, pheasants and deer. He loved the deer hunting the best as he and his brother Dewey (from California) and his grandsons would accompany him and Dewey to their favorite spot at Willow Island for years and years. He bought his grandsons their first high powered rifle as a graduation present for deer hunting.

Rex was active in keeping track of his grandchildren in all the sports they were active in by either attending or sitting at his desk listening to the radio to hear how their games came out and reading the newspaper for their stats. He would attend most of the hometown football games and wrestling tournaments. But he let Janice run after grandchildren so he could keep the dogs, chickens and the ducks company and tinker around the acreage. One time he left Dawson County

to go Lincoln to State Wrestling to watch a grandson that was in the finals. Rex's loved his family and all the grandchildren and his great-grandchildren as they were important in his life.

Rex was preceded in death by his wife Janice of 58 years, parents, brothers Allen, Merton "Babe", Clarence "Jack" and Dewey, sisters Lois, Alverda and Jackie. Sister-in-laws Janette Andre, Donna Smock, Virginia Hansen and Laurine Strickland. Brother-in-laws Bernell Story, Clayton Rutledge, Donald Gutschow, Kenny Moritz and Ed Hanson, parents-in-law Ruby Rutledge, Cliff Rutledge and Leslie Gutschow, great-granddaughter Madysen Harmon, her mother Kristi and nephew Jay Story.

Survivors include two sons, Gordon Lee (Debra) Strickland of Cozad, Gregory Loren (Lloyd) Strickland of Falls City, two daughters Gloria Lynn (Michael) Harmon of Arapahoe and Donna Sue (Merlin) McFate of Callaway. Six grandchildren, Matthew (Amy) Harmon, Jeffery (Michelle) Harmon, Christopher "Toph" (Shannon Tolle) Harmon, Jessica (Ryan) Larson, Justin Strickland and Laura (David) Black. Eleven great-grandchildren, Adam, Ella, Faith, Grace, Alex, Janice, Elaina, Carson, Brynlee, Hunter and Chris, Jacob and Jackson Black. Sister-in-law Verna Story-Moritz, June Strickland and brother-in-law Ervin Smock. And many nieces, nephews other relatives and friends.

Services were held on Monday, September 28, 2020 at 11:00 a.m. at the Berryman Funeral Home Chapel with Chaplain Dewane Dow officiating. Cremation followed. Visitation was on Sunday at Berryman Funeral Home.

Memorials are suggested to the family for later designation. Berryman Funeral Home is in charge of arrangements.



## Oscar 'Butch' Larson, Jr.

Oscar E. "Butch" Larson, Jr., 84, of Verdon, passed away September 23, 2020, in Falls City. He was born July 6, 1936, at his home in Verdon, to the late Oscar E., Sr. and Bessie (Sample) Larson.

On December 21, 1956, he married Ruth Schnell in Scottsbluff, NE. They were married for 33 years and lived the majority of their married life in Verdon, where they raised their two daughters, Debbie and Tammy. They were divorced in 1989.

Butch was born and raised in Verdon and lived there his entire life, with the exception of his work travels, which occasionally took him temporarily to other states. Over the years, he enjoyed raising mink, horses, restoring classic antique cars, junking, and farming. He was a member of Omaha-based Steamfitters Local #464 from which he retired in 1996. He was also a master welder.

He is survived by his two daughters, Debra (Ken) Nelson of Denver, CO, and Tamra Hill of Leawood, KS; and sister-in-law Lonnie Larson, Lincoln, NE. He is also survived by four grandchildren: Jarod (Beth) Thomas, Monroe, MI; Erin (Joey) Jarred, Verdon, Brandt (Sarai) Hill, Olathe, KS, and Alex Nelson, Denver, CO; and four great-grandchildren.

He was preceded in death by his parents in 1989, half-brother Kenneth Dappen, half-sister Thelma Dappen Juhn, his special friend Lois Reedy Hodges in 2009, brother Paul Larson in 2019, and son-in-law Creighton Hill in 2017.

A private family graveside service will be held at a later date at the Verdon Cemetery where cremains will be interred.

At Butch's request, there will be no viewing, visitation, or public funeral service.

## Phillip 'Ace' Wallace

Phillip "Ace" Wallace, 68 of Falls City, passed away September 25, 2020, in Falls City. He was born August 1, 1952, in Omaha, NE to Raymond and Betty (Manoli) Wallace.

He married Patricia Van Winkle on May 27, 2015, at Falls City.

Ace was raised in California and graduated from Garden Grove High School. He attended computer school after graduation. He lived and worked in various places prior to moving to Falls City in 2006 where he owned and operated Ace Tech Computer until his retirement in 2014. He has lived in Falls City since.

Ace is survived by his wife, Pat of Falls City, children, Stephanie Glauzel, Ellen Wallace and Nico Harris, father, Hal Sutter, sisters, Roxanna Zinck and Sharon Moore, grandchildren, his dogs, Gibbs and Abby and his cat, Max.

He was preceded in death by his parents and a brother, Johnny Wallace.

A graveside service will be held on Wednesday, October 7, 2020, at 10:00 AM at Steele Cemetery. No viewing or visitation.



Print Advertising leaves a mark.

**THIS SPACE IS NOW FOR SALE.**

Contact the Falls City Journal

## Kathi Hoppe

Kathi Hoppe, 60, of Falls City, NE, passed away September 24, 2020, in Falls City. She was born August 16, 1960, at Falls City to Bill and Shirley (Germain) McMahan.

She married Jeff Hoppe in 1981 in Falls City.

Kathi was raised in Falls City and graduated Falls City High School in 1978. When married the couple established their home in Falls City and she became a homemaker.

Kathi is survived by her

husband, Jeff of Falls City, daughters, Brandie Kratz of Pawnee City, Ashley Minard and her husband Shane of Horton, KS, Brittney Hoppe of Falls City, a brother, Doug McMahan of Sedalia, MO and seven grandchildren. She was preceded in death by her parents and a daughter, Tori, in infancy.

It was Kathi's wish to be cremated and private family services will take place at a later date.

## Randy Feighner

Randy Gene Feighner, 62, passed away on September 26, 2020, at his home in Falls City, Ne. He was born February 3, 1958, in Falls City NE, to Barbara (Hihath) (Feighner) Werner.

Randy was raised in Falls City and was a 1977 graduate of Falls City Sr High School. He was a proud member of the Tiger football and wrestling team. Randy joined the United States Marine Corps on May 31, 1977, on the buddy system with Jerry Simpson and Mike Strecker, both of Falls City.

Randy attended Basic training with his buddies at Camp Pendleton in California. Randy was stationed after basic graduation at the Marine Corps Air Station in Mokapu Peninsula on the Northeastern coast of the island of Oahu, in the city and county of Honolulu, Hawaii. Randy's Military Occupation Specialty was a 2512 Wireman. His duties consisted of constructing, operation and maintaining wire networks to link key outposts, control points, and headquarters with reliable paths of transmission both on land and at sea. Randy served a total of one year two months and 27 days out to sea while on active duty. Randy served at sea during the Iranian Hostage Crisis, which started November 4, 1979, in which radical Iranian students took over the U.S. embassy in Tehran, Iran, and held 52 Americans Hostage for 444 days.

He served on the USS Vancouver, which is a Raleigh class amphibious transport dock deployed to the Western Pacific in the Indian Ocean between August 8, 1980, and October 11, 1980. He also served on the USS Okinawa, which was an amphibious assault ship that was deployed to the Indian Ocean on the coast of Iran, awaiting the release of those hostages. Randy often shared the cheers and noise of celebration he heard while on the ship when the Hostages were released on January 20, 1981, minutes after President Ronald Regan was sworn into office. Randy served through February 5, 1981, at which time he changed to reserve status through December 30, 1982. Randy received the

Rifle Marksman Badge, Letter of appreciation, Good Conduct Medal, Meritorious Mast, Marine Corps Expeditionary Medal, and the Sea Service Deployment Ribbon.

After he was discharged, Randy moved to Odessa, Texas, and worked as chief technician for Capitol City, Cable vision from 1981 - 1987. He then moved to Nacogdoches, Texas, where he worked for Bill Mar Construction from 1987-1992, playing an intricate part of building over 50 small-town cable systems. In 1992 he moved to Biloxi Mississippi, where he worked for McCall Crew boats in Intercoastal City, Louisiana. He eventually moved to Gulfport, Mississippi, and worked for Fred Goodin, an antique car enthusiast, as his right-hand man. In 2000 Randy moved back to Falls City, where he worked various jobs in the surrounding area and eventually worked for Joe Godemann for many years as a handyman for his many properties. Randy's health began to fail in 2011 and was diagnosed in 2014 with lung cancer, which he has been battling since that time. In 2020 he was diagnosed with kidney cancer as well. Randy enjoyed going to Falls City Tiger football games, camping, fishing, reading and watching sports. He was a loyal fan of the Pittsburg Steelers and Nebraska Cornhuskers.

Randy is survived by his Mother, Barbara Werner of Falls City, brothers Darrold and Terry Feighner both of Falls City, sisters Debra Garza and her husband Domingo of Odessa, Texas, April Butrick and her husband Clayton of Falls City, Diana Munford and her husband Jack of Falls City as well as several nieces and nephews and great-nieces and nephews in Nebraska, Missouri and Texas. Randy was preceded in death by his grandparents, Esther and Dean Feighner, grandparents, Leonard and Lucille Hihath, and brother Jerry Feighner.

Due to COVID and honoring Randy's wishes, a graveside service will be held on Thursday, October 1, 2020, at Steele Cemetery at 10:00 a.m. with Chaplain Doug Delhay officiating. The Falls City Honor Guard will conduct military graveside honors.

## Melvin Rieschick

Melvin Louis Rieschick, 95, was born on October 5, 1924, in Falls City. Melvin passed away September 24, 2020. He was the youngest son of the late Louis and Amelia (Hartman) Rieschick.

On July 5, 1945, he married Mildred Gilliland at Hiawatha, KS. She passed away August 30, 2015.

Melvin grew up on his parent's farm northeast of Falls City, NE. He worked the farm with his family until taking over the farming in 1946. He farmed in Richardson County until retiring in 1989. Following retirement, he and Mildred did antiques. They traveled to shows in their trailer buying and selling antiques, with family accompanying them on many trips. They saw much of the United States traveling with their trailer and visiting family. Their daughter-in-law, Pat, gave them a trip to Alaska, a place they wanted to see but could not take their trailer. Melvin talked about this trip for many years, especially a helicopter ride to the top of a glacier.

Melvin was a member of St. Paul's Evangelical Lutheran Church (20th and Towle), Falls City, where he served on the church council for several years. After retirement, he volunteered to do flower beds and helped as needed. He was a member of the Rotary Club and the Elks Lodge.

Melvin served on the volunteer ambulance squad, donated blood and received several gallon pins through the years.

Melvin was always glad to help a neighbor and twice worked with a group of men to farm ground for a family when a neighbor passed away suddenly. He and Mildred shared a strong faith in God and the first money set aside each month was for the church. They always believed the Lord would provide.

Melvin is survived by a daughter, Diana Vogt and her husband, Carl of Camdenton, MO; a son, David and his wife, Sue of Lake Jackson, TX; a daughter-in-law, Pat Rieschick and her special friend Mike Harson of Falls City, NE; a sister, Darlene Tisdell of Falls City; four grandchildren and eight great-grandchildren.

He was preceded in death by his wife, Mildred; his parents; a son, Dennis; a sister, Ava Moore; a brother, Milton; and a granddaughter, Christina, in infancy.

His funeral was held on Monday, September 28, 2020, at 11:00 AM at St. Paul's Evangelical Lutheran Church (20th and Towle St.) with Reverend Andrew Chavanak officiating. Interment was in Steele Cemetery. Open visitation and viewing was held on Saturday afternoon until 5:00 PM and on Sunday from Noon until 8:00 PM.



# OBITUARIES

WWW.FCJOURNAL.NET

## Betty Jane Strecker

Betty Jane (Olson) Strecker, 94, Milford, NE, formerly of Rulo, passed away Tuesday, September 22, 2020, at Sunrise Country Manor in Lincoln. She was born March 7, 1926, in Decatur, NE.

Betty graduated from Rulo High School in 1943 and married Lawrence Strecker on February 3, 1943, in Rulo. They lived on the family farm until 2008. After selling the farm, they moved to the Legacy in Lincoln. In 2013 they moved to Sunrise Country Manor in Milford, NE. Betty was a farm wife for many years, and in her later years, she worked for a grocery store, JC Penney's and was a nurse aide for the Community Hospital, all of Falls City.



Survivors include her children, Gerald Strecker of Primghar, IA, Linda Lile (Harvey) of Lincoln, NE, Mary Lynn Burnett of Wichita, KS and William "Bill" Strecker (Diana) of Crook, CO; grandchildren, Tracy Strecker of Waco, TX, Christopher Strecker (Tamera) of Cedar Rapids, IA, Renae Florack (Scott) Warton, N.J., Paul Strecker (Kerri) of Lisbon, IA, Laura Reighard (Lee) of Chicago, IL, Jennifer Brown (Leighann) of Gahanna, OH, Lisa Rea (Mike) of Battle Creek, MI, Keith Lile (Melissa) of Milford, NE, Jason Burnett of Wichita, KS, Jeremy Burnett of Wichita, KS, Matthew Burnett of Rogers, AR, William Strecker (Lynaia) Crook, CO, Patrick

Strecker of Minden, NV, Steven Strecker (Jennifer) of West Des Moines, IA; great-grandchildren, Jared Florack, Zakary, Benjamin, Nicholas, Emily, Gabriel, Alexander, Ethen and Jacob Strecker, Airman Elizabeth Brown, Steven Brown, Airman Alec Rea, Eleanor Rea, Sienna Burnett, Kyle, SheaLynn, and Marcos Strecker, Andrew Smith, and Morgan Lile; step-great-grandchildren, Jasmyne Terrell, Kaiden and Alysia Imhoff; numerous nieces and nephews.

Betty was preceded in death by her parents, Henry Frank and Mae (Allen) Olson; husband, Lawrence; son, Alyn C. Strecker; siblings, Edene Brown, Hazel Caverzagie, Wilda Watt, Doris Fredrick, Lorraine Cobb, Robert Olson, and George Olson.

A Rosary was held at 10:00 A.M., Friday, September 25, 2020, with a Mass of Christian Burial to follow at Immaculate Conception Catholic Church in Rulo, with Father David Oldman officiating.

Interment was at the Immaculate Conception Cemetery, rural Rulo. Visitation was held Thursday, September 24, 2020, from noon to 8:00 P.M. at the Hall Funeral Home in Falls City. A memorial is suggested to the Immaculate Conception Catholic Church in Rulo. Hall Funeral Home in Falls City in charge of arrangements.

## Glenn Scholz

Glenn Richard Scholz, 76, of Falls City, graduated peacefully to his eternal home on Tuesday, September 22, 2020. Glenn was born on July 25, 1944, to George Richard and Frances Rebecca (Elam) Scholz in Macomb, Illinois. The family lived in Galesburg, Illinois, before moving to Atchison County in Kansas.

Glenn attended first through eighth grades at the High Prairie school, located east of Huron, Kansas. It was the same one room, stone and brick schoolhouse that his younger brother, father, and grandfather attended. Glenn completed his formal education, graduating from Atchison County High School in 1963. He was one of three students who completed the entire four years of high school with perfect attendance.

Glenn served our country as a member of the Kansas and Nebraska National Guards. He served at the First Baptist Church as an active member, bus driver, and trustee. Glenn served the Falls City community as a custodian at the Falls City High School, sometimes joking that business was "picking up." With a joke at the tip of his tongue, he challenged those around him to find something to smile or laugh about, even thru the tough times. And he faced a few of those. Glenn suffered a debilitating stroke in 1999. He entered the nursing home with an attitude of living each day to the fullest. He found simplicity of purpose, joy in life, and inner strength from God.

Glenn met God in a personal way the same day (July 27, 1974) he met the woman who later became his wife. He made a profession of his faith in God

after attending services at church that night. Glenn and Marilyn Joyce (Lee) were married on December 28, 1974. Together they raised four children who have blessed the family with twenty-eight grandchildren.

Glenn's parents, George Richard and Frances Rebecca (Elam) Scholz, a sister Rebecca Ann Scholz, and brother-in-law John Sing, have preceded him in death.

Glenn is survived by his loving wife Marilyn of Falls City, sons: Nathan Scholz and wife Tresa of Colorado Springs, CO; Jeremy Scholz and wife Rebekah "Becky" of Knoxville, TN; daughters: Michal South and husband Sean of Cumberland, IA; Rebeka Gerlock and husband Clarke of Cumberland, IA; 28 grandchildren, a brother Robert Scholz and wife Sarah of St. Peters, MO; a sister Rita Eckert and husband Jerry of Effingham, KS; brother-in-law Franklyn Lee and wife Connie, sister-in-law Karen Miller and husband Mark, sister-in-law Sharon Sing and many other relatives and friends.

A Celebration of Glenn's Life was held at 10:30 a.m. on Tuesday, September 29, 2020, at the Valley Avenue Baptist Church in Falls City, Nebraska, with Pastor Ben Moore officiating.

Visitation with the family greeting friends was held from 6-8 p.m. on Monday, September 28, 2020, at the Valley Avenue Baptist Church in Falls City.

Interment was 3:00 p.m. on Tuesday, September 29, 2020, at the Lancaster Cemetery in Lancaster, Kansas.

Memorial contributions may be given to the family's choice with a later designation.

Condolences can be shared online at [www.hallfuneral.net](http://www.hallfuneral.net)

## Glenn Hayward

Glenn Orrin Hayward, precious child of God, went home to Heaven Monday, September 21, 2020, exactly one month shy of his 92nd birthday.

He was born on October 21, 1928, to Mack and Geneva (Burr) Hayward. He was baptized and began a life-long walk with his Lord. Attending elementary school at Pine Ridge Country School, he learned to read and write and made life-long friends. He graduated from Humboldt High School in 1946 and went on to study agriculture at the University of Nebraska, with the aim of being a teacher. While in college, he met and fell in love with Dalphynie June Koskan but didn't win her heart until after they graduated and he was called to serve in the Marines. They married on July 20, 1952, and moved to Holbrook, NE, where he taught Agriculture and she taught Home Economics.

They moved back to Humboldt in 1953, so Glenn could help his dad farm. In 1955, they moved to his grandfather Burr's farm 4 miles east of Humboldt, where they raised four children.

In addition to farming, Glenn donned various hats over the years. He worked at Home State Bank and Trust and for the County Assessor's office. He was a member of the Lutheran Layman's League, the American Legion, and The Richardson County Ag Society, and served on numerous boards for the church, school, and community. He was honored with his 65th-anniversary pin from the Richardson County Ag Society at the 2020 Richardson County Free Fair two days before his death.

Glenn was a faithful member of the Faith Lutheran Church in Humboldt for over sixty-five years. He lived his life as an example for his children and those around him. He worked hard, loved openly, laughed generously, and lived with integrity.

He leaves behind the love of his life, June, a brother Dale (Janis), brother-in-law and sister-in-law James and Treslyn Koskan, sons Jerry (Susan) and Dennis (Kathy), daughters Glenna (David) Hedlund and Lorrie (Mark) Novak, adopted daughter Tami (Norman) Stoehr-Kreps, grandchildren Meredith (Adam) Wooderson, Steve Novak, Christopher Hayward, Michael (Callie) Hedlund, Kate Hedlund, Eric and Rebecca Hayward, Nicholas and Natalie Novak and Kelsie Kreps, great-grandchildren Jack, Finn, and Reece Wooderson, Neal Hedlund, many nephews and nieces and a community of friends.

Glenn was preceded in death by his parents and sisters, Marjean Hayward, Norma Jeanne (Reems) Gentry and Eunice (LeRoy) Krueger.

Funeral services were held at 10:00 a.m. Saturday, September 26, 2020, at the Faith Lutheran Church in Humboldt, Nebraska, with Rev. Tim Llewellyn officiating.

Visitation was held Friday, September 25, 2020, from 9:00 a.m. to 8:00 p.m., where family greeted friends from 6-8 p.m. at the Wherry Mortuary in Humboldt, Nebraska.

Memorials may be given to the family's choice for later designation.

Interment was in the Starr Cemetery, rural Humboldt, Nebraska, with military honors by the US Marine Corps Funeral Honors Team and the Harvey-Mann American Legion Post # 269 of Humboldt.

## GARAGE SALE

723 Pacific

Oct. 2 • 1 pm-?

Oct. 3 • 8 am-?

Lots of stuff. Clothes. Furniture. Lots of kitchen. Furnishings.

## Margaret Darlene Johansen

Margaret Darlene (Greene) Johansen, 89, of rural Robinson, passed into the presence of Christ on September 22, 2020, having been surrounded by family in recent days at Vintage Park at Hiawatha. She was born June 7, 1931.

Darlene is survived by two sons, Forest Robert Johansen, Jr. (Nance); Marlin Paul Johansen (Nancy); one daughter, Ruth Anne Priebe (Steve); 19 grandchildren; 30 great-grandchildren, and many nieces and nephews. She is predeceased by her parents, her husband Bob, two sons, Ter-



rance Mark Johansen, and Kelly Donald Johansen; one grandson, Logan Johansen; and her brother David Greene.

The service was held on Saturday at 10:00 a.m. at The Christian Center, Hiawatha.

Memorial contributions are suggested to the Darlene Johansen Memorial Fund sent in care of the funeral home, 124 South 7th St., 66434.

A special message or remembrance may be sent to the family at [www.chapeloaksfuneral-home.com](http://www.chapeloaksfuneral-home.com)

## Darlene Volker

Darlene Mae (Boden) Volker, daughter of Herman John and Rosa Gretja Etta Anna (Hestermann) Boden, was born January 27, 1932, at Sterling, Nebraska. She was baptized on January 29, 1932, at Immanuel Lutheran Church in Sterling by Pastor Degner. She was confirmed on January 26, 1947, at Trinity Lutheran Church in Auburn, Nebraska, by Pastor Dreyer.

Darlene moved with her family to Peru, Nebraska, in 1934, where she attended Peru Normal School. In 1945 the family moved to the Nemaha Bottoms and she attended Larkin Country School through the 8th grade and the Nemaha High School, graduating in 1950. Darlene helped her Dad farm using mules and later tractors. She also worked in Auburn.

On February 21, 1954, Darlene was united in marriage to Dean Volker at Trinity Lutheran Church. In 1956, Darlene and Dean moved to the Hawxby Farm near Nemaha. Throughout Darlene's life, they would live there, being blessed with four children: Darrel, Darla, Duane, and Diane. Throughout the years, in addition to raising her children and running the household, Darlene worked side by side with Dean on the farm using their red equipment.

When she had the time, Darlene loved to sew and became a wiz at patching jeans. She was known to wear out a deck of cards by playing solitaire. Darlene also loved to travel to many Rodeos, watching the family rope, wrestle steers, and barrel race. Darlene and Dean enjoyed square dancing as well.

As a member of Trinity Lutheran Church, Darlene played the organ for the church and was a member of LWML. She belonged to the Champion Extension Club for many years and was 4-H Leader as her kids grew. She also was a Nebraska Elections Poll Worker for more than 26 years.

Darlene developed Diabetes and battled the complications associated with the disease over the years. In February of 2020, she was admitted to Good Samaritan Society-Auburn. When the family was unable to visit her at Good Sam because of the COVID-19 Pandemic, they

made the decision to move her home to care for her with the help of Darla and Samantha and Hospice Care. Back at home, she enjoyed reading the daily paper, watching game shows on TV, and looking at pictures and other memories of her life.

On Monday, September 21, 2020, Darlene passed away at home with family around her.

She was preceded in death by her parents, Dean's parents, Orvin and Emma Volker, infant brother Dalen Boden, sisters and brother-in-law Lillian and Leland Bohling, Orva Jean Gobber, brother-in-law Fred Jenkins, nephew Tim Gobber, sisters- and brothers-in-law Mildred and John Kalous, Gladys and Maynard Schneider, Neva and Jim Thies, and brother- and sister-in-law Lloyd and Donna Volker.

Darlene will be forever remembered by her husband Dean; children Darrel Volker of Auburn, Darla and husband Ron Remmers of Olathe, KS, Duane and wife Linda Volker of Auburn, Diane Johnson and special friend Randy Dalby of Nemaha; grandchildren Samantha (Derek) Gaughan, Wade Colgrove, Dustin Volker, Brandon (Lacey) Volker, Clarissa (Justin) Heinsen, Lance Volker, Royce Johnson, Derek (Holly) Volker, Emily Remmers; 10 great-grandchildren; sister Elvera Jenkins of Johnson; brothers Robert (Delta) Boden of Auburn, Marlin Boden of Nemaha, Willard (Janice) Boden of Nemaha; other relatives and friends.

A funeral service, officiated by Rev. Jonathan Rathjen, was held on Thursday, September 24, 2020, at Trinity Lutheran Church in Auburn. Sandy Wilson was organist and accompanist for congregational songs. Casket bearers were Wade Colgrove, Dustin Volker, Brandon Volker, Lance Volker, Royce Johnson, Derek Volker, Derek Gaughan, and Justin Heinsen. Honorary bearers were Samantha Gaughan, Clarissa Volker, Emily Remmers, lacey Volker, and Holly Volker. Burial followed in the Nemaha Cemetery at Nemaha.

Services were entrusted to Hemmingsen Funeral Home of Auburn.

WWW.FCJOURNAL.NET

NIKKIFCJ@SENTCO.NET

CHELSIEFCJ@SENTCO.NET



Eli Bottom finished fourth at the Nebraska City invite on Thursday.



Freshman Ava Armbruster was the top girls finisher coming in 12th in Nebraska City.

## Tiger boys and girls compete at Nebraska City

Story and photos by Brian McKim

The Tiger cross country teams ran at Wildwood Golf Course on Thursday, September 24. On a hot and windy day, the athletes ran against stiff competition from Plattsmouth, BoysTown, Nebraska City, Auburn and Essex, Iowa.

Plattsmouth won the boys meet with 16 points, Nebraska City was second with 44 and BoysTown was third with 47. Auburn finished fourth with 65, FC was fifth with 75 and Essex was sixth 110. Eli Bottom continued his hot streak, finishing fourth on Thursday at 17:54.69. Alex McKim was next, running the race in 22:02.57 for 24th. Ray Feek was 26th in 22:11.84 and Joe Vrtiska was 27th in 22:18.03. Bryson Buttrick ran a 22:31.89 for 28th and Carson Bredemeier was 30th in 22:38.91. The JV was led by Kyle Daake, who ran a 24:27.96 for 22nd. Pressler Bruxellas was right behind in 23rd (25:33.47) and Will Vitosh was 24th in 26:55.66.

Freshman Ava Armbruster led the Lady Tigers. Armbruster cruised through the course in 24:49.39 for a 12th-place finish. Right behind Armbruster was Nia Crawford in 13th (25:00.30) and Mikaela Hawley in 18th (27:20.99). For the Tigers JV, Eliana Bruxellas was 7th in 31:13.90.

The Falls City junior high teams also competed on Thursday. Miley Crawford was the top finisher for the girls, running the course in 9:38.49 for 9th. Izzy Armbruster finished in 22nd with a time of 11:12.23. Ryker McCullough brought home the silver for the boys, taking 2nd in 8:07.48. Maddox McCullough was 12th in 9:06.41, Bryce Adams was 26th in 12:03.32, Emmett Daake was 27th (12:07.95), and Peyton Brown was 29th in 13:25.28.

The teams competed at Rock Port on Monday and will be in Syracuse on Friday at the Syracuse Country Club. The middle school meet at Syracuse has been cancelled.

## Tiger VB falls twice

By Brian McKim

The Tiger volleyball team had a short week after their game against Savannah on Tuesday was cancelled due to COVID concerns. The Tiger's only other action for the week was a triangular in Syracuse on Thursday, September 24, against the Rockets and Nebraska City Lourdes. Unfortunately for the Tigers, they ran into a pair of tough teams, dropping both games and falling to 5-10 for the season.

In the match against Lourdes, Falls City won the first set 25-23 before dropping the final two, 25-17 and 25-12. Lexi Brewer led the Lady Tigers with six kills. Reece McNeely was next with four and RaeAnn Thompson added two. Lindsey McNeely had the only ace serve of the game for FC. Chase Nolte and Ashleigh Kirkendall each had a block at the net and Makinley Scholl has 20 digs while Brewer added ten. Kirkendall also led the playmaking with ten assists, while Scholl finished with 23 serves received with just two errors for the Tigers.

The Tigers ran into a strong Syracuse team in the other match of the evening. The Rockets dominated the Tigers 25-10 and 25-12. Thompson led FC with four kills; Brewer added three and R. McNeely and Nolte each had two. Scholl led the squad with 12 digs and Brewer finished with 11. Kirkendall led Falls City with nine assists and Nolte led the team with 15 serves received. The Rockets improved to 13-1 for the season with the two-set win.

Falls City hosted Horton on Monday night. Hiawatha was scheduled to take part, but due to them moving to remote learning, the sports teams are not allowed to participate in activities. On Saturday, the Tigers will play in the Johnson County Tournament at JCC High School in Tecumseh.

## Tigers run past Jeffs

By Brian McKim

The Falls City Tigers picked up a big win on Friday night, downing the Fairbury Jeffs 55-0. Not only did the Tigers improve to 4-1 for the year, but they also ended Fairbury's three-game winning streak over the Tigers. FC controlled the game from the beginning, leading 20-0 after the first quarter and 33-0 at the half. The Tigers added 14 points in the third and eight in the fourth as they literally ran past the Jeffs, 55-0.

Falls City controlled the game's pace, finishing with 450 yards rushing while limiting Fairbury to 27 yards on the ground and just 66 through the air. Overall, FC held a 477-93 total yard advantage. The Tigers finished with a 25-7 first down advantage and FC won the turnover battle 6-1, forcing six interceptions. On the second play of the Tiger's first offensive possession, Leighton Vice took the ball left and raced 46 yards, untouched for the game's first score. The Lukas Aldana kick made it 7-0 with 10:01 left in the first.

Facing a fourth and five at their 44, Fairbury tossed their first of six interceptions.

FC marched down the field, covering 41 yards in seven plays, ending with Vice taking a late option to the right in from three yards out to make it 14-0

(Please turn to Page 11)

## Tiger softball falls to 5-17

By Brian McKim

With the Falls City softball team heading into the season's home stretch, the Tigers dropped all four contests they played, including going 0-2 in their first appearance in the ECNC Tournament in Auburn on Saturday.

The week began with a 12-4 loss on Tuesday, September 22, in Fairbury. FC scored first in the third when Madi Jones drove in Elyse Poppe with a one-out single to give Falls City a 1-0 lead. The Jeffs struck right back, plating four runs in the bottom half of the inning and never looked back.

Trailing 5-1 in the top of the fifth, FC managed to make it a game again. Walks by Poppe and Abby Harms brought Jones to the plate, who made it a one-run game with one swing of the bat. The HR to center field made it 5-4. Fairbury rattled off seven unanswered runs to hold on for the 12-4 win.

FC was out hit by Fairbury 16-7. Sara Black was 2-3, Jones was 3-3 with a double, one HR and four RBI. Brewer pitched four innings, allowing seven hits and five runs. Poppe pitched the final 1 1/3, allowing nine hits and seven runs.

In the second game of the week, the Tigers hosted Freeman on Thursday. One big inning by Freeman doomed the Tigers. An eight-run second inning proved to be too much for FC to overcome as the Tigers dropped the game 10-2.

Freeman kept moving the base runners in the second. Three doubles, six singles and a walk led to the eight Falcon runs.

In the bottom of the second, Harms started a two-out rally by getting hit by a pitch. A base hit by Courtney McClintock put runners at first and third. A steal of home by Harms and an RBI single by Zoey Ebel made it 8-2.

FC wouldn't threaten again, as Freeman added single runs in the fourth and sixth. Freeman out hit FC 15-6.

McClintock went 2-2 at the plate and Ebel was 1-2 with an RBI. Poppe took the loss, pitching six innings, allowing 15 hits and ten runs.

On Saturday morning, the Tigers were playing in their first ECNC Softball Tourney held

in Auburn. In game one, the fifth-seeded Tigers took on the fourth-seeded Weeping Water Indians. Weeping Water staked an early lead, running away with a 10-2 win in five innings.

FC scored first in the top of the opening frame. With two outs, Jones singled to left field and came home on a double by Kacy Brewer. The Indians responded with four runs in the bottom of the first and never trailed. Weeping Water extended their lead to 7-1 in the second. FC got one run back in the third. Jones reached on a two-out single and later scored on an RBI single by Brewer to make it 7-2. WW added three more runs to advance to the next round with a 10-2 win.

Weeping Water out hit FC 15-7. Jones went 3-3 with two runs scored, Brewer was 2-3 with a double and two RBI and McClintock was 2-2. Poppe was saddled with the loss, giving up 15 hits and ten runs over 4 2/3 innings.

In the next game of the tourney, FC faced Freeman for the second time in three days. The Tigers exploded for four runs in the first frame, but the Falcons responded with eight runs in the second. FC got three back in the third to make it 8-7, but Freeman outscored FC 8-1 over the final two innings to send FC home with a 16-8 loss.

Back to back singles by Poppe and Jones set Brewer up for a three-run bomb to left field to give FC a 3-0 lead. After reaching on a single, Abby Harms scored on an error to make it 4-0. In the third inning, Thayer Armbruster led off the inning with a HR to center field

(Please turn to Page 11)

**YARD SALE**

**104 Ash St., Verdon, NE**  
**Oct. 2 & 3 - 9AM to 6:30PM**

A little bit of everything!  
Cups & Plates, Knick knacks,  
Plus sizes womens  
clothing & scrubs, Mens  
jackets/coats, DVDs/VHS  
tapes, Board Games/puzzles,  
Old tools, Fishing rods & more.

**EVERYTHING IS  
NEGOTIABLE**

Will have homemade goodies  
& Farm Fresh Eggs for sale

## THROW IT AWAY

I'll be glad when we can throw these masks away  
We will laugh and shout; won't that be the day?  
Off we will go in a rush, not afraid of someone to touch  
We won't steer way from crowds where shoulders brush  
Shake hands with a friend or give someone a hug.  
Or sit down at a bar and hoist up a mug  
Contact sports we will no longer fear.  
Sit in the grandstand or stand up and cheer.  
What a story we can tell; we lived it and know it so well.  
Oh yes, I'll be glad when we can throw these masks away!  
The COVID virus was not a respecter of anyone;  
Attacked the old and even the young.  
Some lost their lives and many were real sick  
Discretion was not shown with the victims it did pick.  
For those that contacted the virus it didn't go well  
Some even called it a living hell.  
Oh yes, I'll be glad when we can throw these masks away!  
Here's hoping this act is over, we sure don't want a replay.  
Turn the children loose and let them have a good day  
Now they can jump on the school bus and ride far away  
You can sit beside some one at the picture show  
Or go out to eat and sit close by a person you don't know.  
Dance all night on a crowded dance floor,  
Perhaps it is playing ball or a tug of war.  
Soon we will have a vaccine in a tiny jar  
Then after awhile our fears will go away  
Oh yes I'll be glad when we can throw these masks away!

Composed by Roger Fisher July 2020

**GENERAL ELECTION  
EARLY VOTING BALLOT  
REQUEST FORM  
NOVEMBER 3, 2020**

I, \_\_\_\_\_ am a qualified elector of the State of Nebraska and will not be going to the polls on the day of said election, therefore I request an early voting ballot for the General Election occurring on November 3, 2020.

I am a registered voter in Richardson County at the following address:

\_\_\_\_\_ (address)

I will vote in this office as the Early Voting Polling Place.

I request to take the ballots with me, (or to the person I am acting as agent for).

I request ballots be mailed to the following address:

\_\_\_\_\_ (address)

The County Clerk or staff member may reach me at \_\_\_\_\_ to verify any information, which might be required, prior to sending the ballots to me.

**Voter's Signature:** \_\_\_\_\_ **Date:** \_\_\_\_\_

**Agent's Signature:** \_\_\_\_\_

**EARLY VOTING DEADLINES**

Request by mail	6:00 pm	Friday, Oct 23, 2020
Request in person	5:00 pm	Monday, Nov 2, 2020
Request by agent	7:00 pm	ELECTION DAY, Nov 3, 2020

**Mail Application to:** **RICHARDSON COUNTY CLERK**  
1700 STONE STREET, RM 203  
FALLS CITY, NE 68355  
**402-245-2946**  
or  
**clerk@richardson.nacone.org**

**Fax to:** \_\_\_\_\_

**Email to:** \_\_\_\_\_

For Office Use Only:  
Ballots Assigned: \_\_\_\_\_ Page: \_\_\_\_\_ Line: \_\_\_\_\_  
Staff Initials: \_\_\_\_\_ Date Sent: \_\_\_\_\_  
Voter ID Number: \_\_\_\_\_ Date Returned: \_\_\_\_\_

(Please turn to Page 11)

## Tigers run past Jeffs

(Continued from Page 10)

after the PAT kick with 6:17 to play in the first.

After forcing a punt, the Tigers were back at it on offense. The Tigers, more specifically Vice, picked up its third TD of the night. A three-yard TD run capped off a six-play, 69-yard drive. The extra-point kick was no good and FC led 20-0 with 2:22 still on the clock in the opening quarter.

After another pick, the Tiger offense made it 26-0, driving 74 yards in nine plays to take a 26-0 lead. This time, Vice followed his blockers and raced to the endzone's left corner for a 12-yard TD.

On the first play of the next drive, FC got its third INT, setting them up at their 43-yard line. Three snaps later, Vice got his fifth TD of the night on a 48-yard run. The PAT kick by Aldana made it 33-0 with 6:20 left in the half. That's where the game stood entering the locker rooms at halftime.

The Tigers scored three more times in the second half. First, Dalton Helmick scored from seven yards out in the third to put the Tigers ahead 40-0. Then Carson Simon made it 47-0 after a seven-yard run up the middle. The PAT kick was good, and FC led by 47 with 4:14 to play in the third.

The final score of the game for FC game came on a 12-yard carry by freshman Kadya Strecker. The two-point conversion run was good, and FC led 55-0 with 8:02 still on the clock.

Vice had a career night, finishing with 175 yards rushing on just ten attempts and scoring five touchdowns. Simon added 77 yards on six attempts, Drake Butler had 42 yards on seven carries and Jace Heckenlively had 41 yards on seven attempts. Butler was 1-1 passing for 27 yards and Vice had one catch for 27 yards.

Defensively for the Tigers,

## Tiger SB falls to 5-17

(Continued from Page 10)

to make it an 8-5 game. Hannah Collier reached on an error, Brylee Gilkerson doubled and both runners scored on a double by McClintock to make it 8-7. FC final run came in the fifth. Singles by Jones and Brewer brought Havyn Ruiz to the plate. Ruiz got an RBI single to make the final 16-8.

Jones went 3-3 with a walk. Brewer was 2-4 with three RBI and a HR, and Armbruster was 1-2 with an RBI HR.

FC played at St. Joseph Lafayette on Tuesday and will host Syracuse on Thursday, October 1, for the final home game and the regular-season finale. FC will begin postseason play on Monday, October 5. Teams in the subdistrict will be Auburn, FC, Fort Calhoun, Syracuse and Weeping Water.

"The ECNC Tournament didn't go as we had hoped," said Coach Joe Dunn. "We have some girls playing some different positions because of the COVID quarantine where we lost two girls. Basically, we need to hit the ball better to be able to compete with the teams were playing. Our team goals right now are to get the finals of the district tournament and compete well."

Heckenlively, Wyatt Olberding and Justin Brewer all had five stops. Rayce Farmer had a massive night in the defensive backfield, recording three of the team's six interceptions. Heckenlively, Jaxyn Strauss, and Aldana each added one INT.

The Tigers will travel to Lincoln Christian on Friday, October 2. The Crusaders are coming off their first loss of the season, a 28-10 loss to Auburn last Friday night.



QB Jakob Jordan stiffarms the Eagle defender.



Evan Keithley dives for the first down Friday night against Johnson-Brock.

## Irish FB team rolls the Eagles

Story and photo by Brian McKim

The Sacred Heart Irish football team pounced all over the Johnson-Brock Eagles on Friday night at Jug Brown Stadium. The Irish, now 4-1, scored the games first 46 points en route to the easy homecoming victory. Two years removed from a state title, the Eagles failed to offer much resistance to the Irish on either side of the ball.

Things went well for the Irish all night long. On the first play of the game, Jack Fiegenger stepped in front of an Eagle pass, getting the INT, returning it 27 yards for the score. A two-point conversion run by Evan Keithley made it 8-0 just eight seconds into the game.

On the second drive of the game for Johnson-Brock, it was Jakob Jordan's turn on defense, getting the pick and giving the Irish the ball at the Irish 17. Ten plays and 63 yards later, Del Casteel took the handoff three yards to paydirt to make it 14-0 with 7:03 on the first-quarter clock. The PAT run by Jordan pushed the Irish lead to 16-0.

With the help of a couple of penalties, the Eagles moved the ball down the field on the Irish defense, getting to the SH 26 before Jordan got his second INT of the contest. After the third interception of the game,

SH began the drive at their six-yard line.

SH wasted little time getting back on the scoreboard. A 21-yard run by Casteel set up a pass play from Jordan to Fiegenger that brought the Irish down to the Eagle 28-yard line. Tyler Catlin plunged in from five yards out for the third Irish TD of the game. Jordan kept the ball for the conversion to put the Irish ahead 24-0 with 10:59 to play in the half.

After stopping the Eagles on downs at the Irish 20, QB Jordan threw his first pick of the season, giving Johnson-Brock the ball at their 32. A fumbled snap and then sack by Derek Schawang put a stop to the next Eagle drive. Brogan Nachtigal blocked the punt attempt, setting the Irish up with excellent field position at the Eagle 34 with 1:04 to play in the half. With nine ticks left on the clock, Casteel crossed the goal line from three yards away. The PAT run by Catlin made it 32-0 at the half.

The third quarter began the same way the first half ended. SH covered 53 yards in just five plays, ending with a four-yard Casteel TD run. The PAT pass from Jordan to Jake Froeschl made it 40-0 with 9:36 to go in the third period.

The Irish forced a three and

out, taking over at the Eagle 30 to begin the next drive. On the first play, Jordan faked a sweep and found Froeschl coming across the field for a 30-yard TD

(Please turn to Page 18)

### CLASSIC CLUB 8 MEMBER



October 17, 2020

Tasting Will begin at 11:30 AM

Public & Members WELCOME to come

Vote for your favorite chili!



Classic Club 8 Golf Course 402-245-3624 Award for Best Chili!

### Apple Picking Time



John Falter's scene for the harvest time painting is his native Midwest; he sketched those barns and the rail fence near Weston, Missouri. The farm, long owned by the Blythe family, is one of the oldest in Northwestern Missouri. Falter completed the painting when he got back to his home in Pennsylvania, and the trees, the apple pickers and the farm woman are done from memory. It wasn't hard to recall similar scenes from his own boyhood, although as he worked, the phase of apple picking Falter recalled most vividly was fresh apple pie. In a burst of nostalgia he asked to have it for dinner. He enjoyed every bite, and it wasn't until later that it occurred to him the pie he had eaten with such pleasure was cherry.

johnphilipfaltermuseum.com

ADOPTED BY MADALINE & LEON WILHELM

**GOOD LUCK**  
FALLS CITY GIRLS SOFTBALL & COACHES AT SUB-DISTRICTS  
TIGER BOOSTER CLUB

# OCTOBER 2020 FALLS CITY COMMUNITY CALENDAR

•EVENTS •CLUB MEETINGS •SCHOOL ACTIVITIES

Sun	Mon	Tue	Wed	Thu	Fri	Sat
Some meetings may be postponed due to COVID-19. Call Frontier Bank to have your meeting or event placed in next month's calendar.				1	2 FC CC at Syracuse SH FB at HTRS FC FB vs. Lincoln Christian	3 FC VB at Johnson County Central
				BLOOD MOBILE AT PRICHARD		
4	5 FC Chamber BoD at Noon FC City Council 6 PM	6 Richardson County Commissioners Meet	7	8 FC CC at Classic Club 8 at 4:30	9 SH FB at Omaha Christian Academy FC FB at home vs. Milford	10
11	12 East Central NE Conference VB Tourney (FC Public)	13 East Central NE Conference VB Tourney (FC Public) Richardson County Commissioners Meet	14	STATE SOFTBALL AT HASTINGS		
15	16	17	18	19 CC Districts East Central NE Conference VB Tourney (FC Public)	20 FC Public School 2-Hr Early dismissal	21
22	23	24	25	26 D2 FB 1st Rd playoffs FC Public Schools PT Conferences	27 CC State Meet at Kearney FC FB at Auburn FC Public No School	28
29	30	31	Trick or Treat			
31	1	2	3	4	5	6
C-1 VB Sub Districts			Richardson County Commissioners Meet			VB Dist. Final

This community calendar is provided to you by Frontier Bank. If your community service organization club would like to be included on our monthly calendars, please contact Tiphonie Nekolite, Frontier Bank, 245-2486 by the third Friday of the month.

frontierbank  
FDIC

We offer Financial Solutions: checking, investments, loans and many convenient services — all designed to make the financial side of your life easier



## Don't count on lower Insurance costs for next year

*"Thinking About Health," is part of the Nebraska Press Association's partnership with Rural Health News Service, which will provide Nebraskans with unbiased health-related information, designed to help better understand the health issues facing our communities, state and nation.*

By **Trudy Lieberman**

Steve Schneider owns a digital marketing agency in Indiana where he insures six people on the company's health insurance plan – two employees and their dependents – for about \$37,000 a year. He says it's an "ultra-high" deductible plan that requires each family to pay the first of the year's \$12,100 in medical costs out of their own pockets and charges totaling \$6,050 for each family member before the insurance plan pays.

That's hardly insurance, but that is the norm. "Every year," Schneider told me, "it's how much can we offer and how much can employees pay? How high can I push the deductible to lower the premium?"

Schneider is one of thousands of small business owners who are making that same calculation this fall. In Stowe, Vermont, Jen Kimmich runs a craft brewery and wonders how long she can continue to pay a large share of the costs to insure her 42 employees.

She provides full coverage for all her employees even if they work as few as 10 hours a week. "They deserve it," Kimmich says, "but it's expensive, and we don't know how much longer we can keep paying for it."

Why is insurance going to cost so much again this year? Keep in mind that the out-of-pocket costs consumers pay in the form of high deductibles, copays and coinsurance are just as important as the premiums in determining the total cost of your insurance.

Cost sharing is simply another way to make consumers pay more for their coverage.

But why is insurance still so expensive when the news media is full of stories about how Americans have stopped going to the doctor and avoiding medical services, either out of fear of contracting the coronavirus or fear of racking up high medical bills they would struggle to pay?

Don't fewer services mean less demand that would prompt doctors, hospitals, and other providers of medical care to reduce their prices as a way to attract patients? That's the way it works with other goods and services.

Don't bet on it, says Dr. David Blumenthal, president of The Commonwealth Fund, a philanthropic organization in New York City. "The reduction in insurers' costs from reduced use of routine services will be much greater than the cost increases associated with care of COVID-19 patients. That means companies have realized substantial short-term profits."

Blumenthal added, "Consumers shouldn't assume they will get the benefit of the doubt. If there's any doubt about how much the use of care will go up, insurance companies will assume the worst. That's what investors want."

The companies have market power. Although insurance actuaries, the ones who crunch the numbers, say there is plenty of pressure from employers to keep premiums low, insurers have enough clout to raise deductibles, copays, and coinsurance. That places the burden on those who get sick.

Hospitals, which account for about one-third of U.S. health care spending, also have market clout. Bob Herman, a journalist who covers the hospital industry for Axios, told me, "The public safety net and rural hospitals haven't been doing great and have been neglected for years. One the other hand, he says, "It's a different story with the big, urban hospital systems."

"They are sitting on large rainy-day funds, which were built up by high prices over the years," he explained. "COVID put a wrench into some of their plans to expand, and expansion is good for hospitals. They are crying poverty but are paying consultants and lawyers millions of dollars to complete acquisitions."

Many hospitals have begun costly advertising campaigns to drum up business. As that business returns, prices for hospital services are not likely to drop.

Dr. Sandeep Jauhar, a cardiologist at Northwell Health in New York, says hospitals in the state argue, "We need to ramp up care." He added, "Some departments are being told to not only resume care at pre-pandemic levels but to boost volume of care to make up for financial losses." In other words, they are being told to drum up business, and in many cases they have enough market power to keep prices high. While medical experts urge people not to delay needed care, it's important to remember that Americans often get too much care. "Hundreds of billions of dollars are spent unnecessarily on health care," Jauhar says, and maybe we should reboot in a different way. "Maybe patients don't need as much care as we've been providing."

Even if the number of services performed goes down, I'd wager, the price will continue to go up.

What kind of insurance increases are you expecting?

Write to **Trudy** at [trudy.lieberman@gmail.com](mailto:trudy.lieberman@gmail.com).



## Commissioners vote to buy new motor grader

By: **Charlie Radatz**

During the Tue., Sept. 22, meeting of the Richardson County Board of Commissioners, a motion was made by Commissioner John Caverzagie to approve the purchase of a Caterpillar 140G motor grader at the contracted price of \$294,300 less a trade-in allowance of \$59,000 to make the final purchase price \$235,300 from Nebraska Machinery Company from contract #032119-CAT. The motion was seconded by Commission Chairman David Sickel and approved with all three Commissioners voting aye. The action was taken after further review by the Commissioners of the information received to purchase a 2020 road grader with pricing available through Sourcewell Contracts.

Action on the motor grader was taken during the portion of the meeting devoted to hearing from Highway Superintendent Steve Darveau, Jr. updating the Board on the routine maintenance being done this week on County roads and bridges.

Superintendent Darveau reported that funds had been received from FEMA in the amount of \$133,668.92 for reimbursement of damages and expenses related to the winter storm and flooding of 2019.

The Highway Superintendent reported that work had been done at the Humboldt Road Department yard and plans are being made to demolish and remove the wooden structure. Darveau also reported that County bridge match applications need to be submitted for state funding and he reviewed with the Board those projects that are being considered for submission.

The County contracts with outside firms to assist the County Assessor's office with some of its property assessment responsibility and a motion was made by Commissioner Sickel to approve an agreement with Prichard & Abbott to provide professional appraisal services for oil and gas mineral interest for tax years 2021 and 2022 at a price of \$1,930.00/year. The motion was seconded by Commissioner Frank and approved on a 3-0 vote.

Sheriff Hardesty and Roland Merwin, Chief Deputy Sheriff, updated the Board this week on the Law Enforcement Center's business. During their report, a motion was made by Commissioner Caverzagie to approve an annual salary increase of two percent for dispatchers, jailers, clerical, maintenance and deputies effective July 1, 2020, at the Law Enforcement Center. The motion seconded by Sickel and also approved 3-0.

The Commissioners reviewed a proposed land subdivision, and it will be considered at next week's meeting.

The Board of Commissioners adjourned its meeting after voting to allow the payment of all claims that were submitted during the week prior to the session.

### PSC fall sports ticketing procedures

In the interest of fan health and safety, Peru State has modified its fan attendance and ticketing procedures for fall sports for the 2020 season. In the Al Wheeler Activity Center (AWAC), for volleyball, Peru State will have a maximum

of 544 available seats. In the Oak Bowl, for football, Peru State will have a maximum of 618 seats available. All tickets will be available on a first-come, first-serve basis.

Ticket counts and procedures will be broken down into five categories: 1. Student Tickets; 2. Faculty and Staff Tickets; 3. Season Pass Holders; 4. Home Team Fans Only; 5. Complimentary Tickets for Recruits and Guests.

All admission and game tickets for volleyball and football will be pre-issued by Peru State athletics staff via HomeTown Ticketing. There will be limited walk-up ticket sales at the AWAC or Oak Bowl and will be dependent on pre-sales. All tickets will include a unique code and may not be duplicated. Tickets will be verified electronically at the facility's point of entry by Peru State game management staff. Any tickets issued to a game that is postponed to a later make-up date will be honored on the new contest date.

For the complete release, please go to: <https://bit.ly/3kayWf1>

## Be a Proud Poll Worker

### Nebraska General Election November 3, 2020

**Who can apply?** If you are 16 years old or older. If you are 18 years or older you must be a registered voter in the county.

**Poll Workers are paid.** Service organizations are able to contract with a county election office. Non-profit organizations are paid directly for their volunteer's time, and can use the funds as they wish for their charitable projects. Virtual training will be available online or by television.

**Every polling site will receive kits to protect poll workers. Social distancing standards will apply.**

**To Apply Contact your County Clerk or Election Commissioner**

<https://sos.nebraska.gov/elections/election-officials-contact-information>

## Online RN to BSN

University of Nebraska Medical Center

If you already have an Associate Degree in Nursing or an RN nursing license, your bachelor's degree in nursing may be closer than you think:

- 100% Online
- Only 6 courses
- Accredited by the Commission on Collegiate Nursing Education

[online.nebraska.edu/bsn](https://online.nebraska.edu/bsn)

**Natalia McCain**  
Bachelor of Science in Nursing  
University of Nebraska Medical Center

## Pawnee County Garage Sale

# October 3rd

At time of publication sales in:  
Pawnee City  
DuBois  
Table Rock

Maps and listing information will be printed on the back page of  
**The Pawnee Republican**

## JOIN US FOR THIS FREE HEMP HARVEST EVENT!

**FRIDAY • OCTOBER 9TH**  
10AM TO 2:30PM

CHECK OUT OUR HARVEST DEMONSTRATING THIS YEAR'S HARVEST HEAR THE LATEST INSIGHTS AND GAIN OPERATION STRAGIES FROM OUR PANEL OF HEMP GROWERS AND PROFESSORS. COME WITH YOUR QUESTIONS.

GET YOUR FREE TICKETS AT  
[MIDWESTHEMPFORUM.COM](https://MIDWESTHEMPFORUM.COM)

Discover the following product showcases from our Sponsors:

## ROOF, METAL, SIDING & TRIM

Custom fabricate for your application.  
**FRONTIER METAL SUPPLY**  
72251 HWY 75 - AUBURN, NE  
Located 5 Miles South of Auburn!  
[FRONTIERMETALSUPPLY19@GMAIL.COM](mailto:FRONTIERMETALSUPPLY19@GMAIL.COM) or 402.230.0262

# A different kind of homecoming at Peru State College

Homecoming activities at Peru State College are scheduled for the week of September 28 with the football game against Central Methodist University to be held on October 3.

The Campus Activities Board and the Student Senate will hold events for students throughout the week. Events include Mr. Peru, Acoustic Karaoke and Casino Night.

The Saturday, October 3 football game will be held at 2:00 p.m. The Homecoming King and Queen will be crowned at half-time.

Women's Volleyball plays Graceland University in the Al Wheeler Activity Center on Sunday, October 4 at 11 a.m.

## No alumni events

In the wake of the global pandemic, all planned fall 2020 alumni events, including several annual homecoming events were canceled. This decision

was made in coordination with the Peru State College Foundation and the National Alumni Association. Events impacted include, but may not be limited to all reunions and the Homecoming Parade.

## Athletic events and COVID-19

Peru State will abide by the Southeast Department Health District, State of Nebraska, and the Heart of America Athletic Conference guidelines and requirements as it relates to COVID-19, including mandatory face coverings for all attendees in both the Al Wheeler Activity Center and the Oak Bowl.

All admission and game tickets for volleyball and football will be pre-issued by Peru State athletics staff via HomeTown Ticketing at <https://tinyurl.com/PeruStateTickets>. There will be limited walk-up ticket sales at the AWAC or Oak Bowl and will be dependent on pre-sales.

The Heart of America Conference has advised that no visiting team fans attend games.

All attendees will be screened for COVID-19 at the entry gates and will be stamped upon passing the screening. The screening will include a temperature check and a review of the symptoms. If you do not feel well or have any symptoms prior to the games, do not attend.

Fans will be asked to abide by all facility signage and instructions, including no tailgating policies, social distancing seating, face coverings and any other instructions from game management.

Fans must sit in the seat assigned on their tickets and fans assume all risks of attending Peru State athletic events.

There will be no tailgating at Peru State athletic events this fall.

# Lady Irish volleyball keeps rolling

By Brian McKim

The Falls City Sacred Heart Irish volleyball team traveled to Lewiston on Thursday, September 24, to take on the Tigers. The Irish, rated sixth by the *Lincoln Journal Star*, beat the Tigers in three straight sets, 25-7, 25-15 and 25-17.

Erison Vonderschmidt had five ace serves, 13 kills and two digs to lead the Irish. Lainey Ebel had six kills, an ace and three digs. Taylor Frederick also had six digs and an ace. Rachel Magdanz was the top playmaker for SH with 20 assists, four kills and two aces. Lauren Malone led the

team with 19 digs.

SH played in the Axtell, Ks. Invitational on Saturday, September 26. In the first game of the day, SH downed Tri County 25-16 and 25-9. The Irish made it to the tourney's finals, falling to top-rated Diller-Odell 25-12 and 25-19. (*Stats and results of Axtell tourney were not made available in time for publication.*)

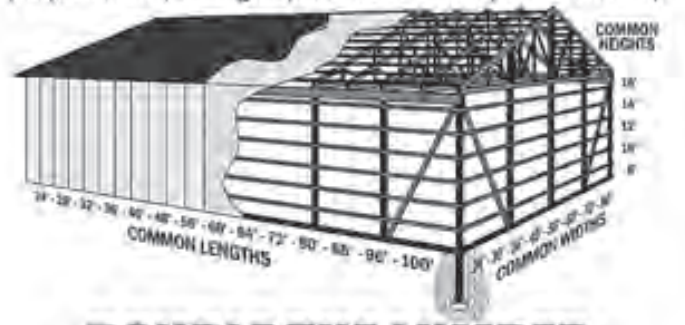
SH hosted Freeman on Tuesday, September 29, at the RAC. The Irish vs. Sterling game originally scheduled for Thursday, Oct. 1 has been canceled due to COVID. They will play against Rock Port on Tuesday, October 6.



**Specializing in Complete Post & Steel Frame Buildings**

**Fall Build Specials Going on Now!**

| Agricultural | Hobby Shops | Storage | Residential |  
| Equestrian | Garages | Livestock Barns | Commercial |



**DOUBLE THE LUMBER**

**115 Mph Wind Load    30 Lb Snow Load**  
**Engineered Plans        60 Year Column Warranty**  
**100% Customizable    40 Year Steel Warranty**

**EXPERIENCE THE CRITEL BUILDINGS ADVANTAGE**

[critelbuildings.com](http://critelbuildings.com) | 402-984-9613

## NE STATEWIDES CLASIFIEDS

ADVERTISE STATEWIDE for \$225/25 word classified ad. Over 150 newspapers with circulation of more than 237,000. Contact your local newspaper or call 1-800-369-2850.

Package. 155 Channels. 1000s of Shows/Movies On Demand. Free Genie HD DVR Upgrade. Premium movie channels. Free for 3 months! Call 1-855-977-3794.

APPLYING FOR Social Security Disability or Appealing a Denied Claim? Call Bill Gordon & Assoc., Our case managers simplify the process & work hard to help with your case. Call 1-866-818-0868. Free Consultation. Local Attorneys Nationwide [Mail: 2420 N St. NW, Washington DC. Office: Broward Co. FL (TX/NM Bar).

DIRECTV NOW. No Satellite needed. \$40/month. 65 Channels. Stream Breaking News. Live Events, Sports & On Demand Titles. No Annual Contract. No Commitment. Call 1-855-417-4299.

BANKRUPTCY: FREE consultation. Lowest rates. No office visit required. As Nebraska's #1 bankruptcy firm, we have helped thousands of clients file bankruptcy in all 93 Nebraska counties. We can stop garnishments and foreclosures fast. [www.SamTurcoLaw.net](http://www.SamTurcoLaw.net). Call 402-965-0424 or send e-mail to [info@SamTurcoLawOffices.com](mailto:info@SamTurcoLawOffices.com).

DISH NETWORK \$59.99 for 190 Channels. Blazing Fast Internet, \$19.99/month (where available). Switch & Get a Free \$100 Visa Gift Card. Free Voice Remote. Free HD DVR. Free Streaming on All Devices. Call today! 1-877-688-4784.

DIAGNOSED WITH Lung Cancer? You may qualify for a substantial cash award - even with smoking history. No obligation! We've recovered millions. Let us help!! Call 24/7, 855-795-0956.

LIFE ALERT, One press of a button sends help Fast, 24/7! At home and on the go. Mobile Pendant with GPS. Free First Aid Kit (with subscription). Call 855-663-0118. Free Brochure.

NURSING HOME taking your farm-ground and life savings? Medicaid Crisis Planning - we can save your farm for future generations! Gerard T. Forget, Attorney, 402-598-6728.

PORTABLE OXYGEN Concentrator? May be covered by Medicare! Reclaim independence and mobility with the compact design and long-lasting battery of Inogen One. Free information kit! Call 855-385-3580.

\$10K OR more in tax debt? Get your tax problems resolved ASAP! Stop Penalties, Interest and Tax Liens. Call Anthem Tax Services today for a Free Consultation, 1-844-981-0055.

INVENTORS: FREE information package. Have your product idea developed affordably by the Research & Development pros and presented to manufacturers. Call 1-877-581-2504 for a Free Idea Starter Guide. Submit your idea for a free consultation.

AFFORDABLE PRESS Release service. Send your message to 155 newspapers across Nebraska for one low price! Call 1-800-369-2850 or [www.nebpress.com](http://www.nebpress.com) for more details.

\$1,000 HIRING Bonus! Concrete Mixer Truck Drivers. \$20-\$30/hr. Certified Ready Mix. 402-306-3289, 24540 Hwy. 275, Waterloo, NE.

UP TO \$15,000.00 of Guaranteed Life Insurance! No medical exam or health questions. Cash to help pay funeral and other final expenses. Call Physicians Life Insurance Company, 866-982-2256 or visit [www.Life55plus.info/ne](http://www.Life55plus.info/ne)

COMPUTER ISSUES? Geeks on Site provides Free diagnosis Remotely 24/7 service during Covid-19. No home visit necessary. \$40 Off with coupon 86407! Restrictions apply. 855-668-1997.

ACREAGE, GREELEY, NE, 1 1/4 acres, 2,300 sq. ft., 4 Bedroom, 3 Bath home, large 3 car garage. Fiber Optic High Speed Internet. A great work from home opportunity. A short drive from Grand Island on Hwy. 281. Sweeney Auction & Realty @ 308-428-5971.

BECOME A published author! Publications sold at all major secular & specialty Christian bookstores. Call Christian Faith Publishing for your Free author submission kit. 1-866-558-6428.

VIASAT SATELLITE Internet. Up to 12 mbps plans starting at \$30/month. Our fastest speeds (up to 50 mbps) & unlimited data plans start at \$100/month. Call Viasat today: 1-877-255-9312.

BECOME A Published Author. We want to read your book! Dorrance Publishing - trusted by authors since 1920. Book manuscript submissions currently being reviewed. Comprehensive Services: Consultation, Production, Promotion and Distribution. Call for your free Author's Guide, 1-877-858-2822 or visit <http://dorranceinfo.com/Nebraska>.

DIRECTV - SWITCH and Save! \$49.99/month. Select All-Included

DONATE YOUR car for Breast Cancer! Help United Breast Cancer Foundation education, prevention & support programs. Fast free pickup - 24 hour response - tax deduction. 1-888-309-7108.

**UNITED STATES POSTAL SERVICE® (All Periodicals Publications Except Requester Publications)**

**Statement of Ownership, Management, and Circulation**

1. Publication Title: Falls City Journal

2. Publication Number: 184-988

3. Filing Date: 09/25/2020

4. Issue Frequency: Weekly

5. Number of Issues Published Annually: 52

6. Annual Subscription Price: \$55, \$50, \$45

7. Complete Mailing Address of Known Office of Publication (Not printer): Falls City Journal, 1709 STONE ST, Falls City NE 68355 / RICHARDSON

Contact Person: Chelsea Alexander  
Telephone (include area code): (402) 245-2433

8. Complete Mailing Address of General Business Office of Publisher (Not printer): Falls City Journal, LLC, 1709 STONE ST, Falls City NE 68355

9. Full Name and Complete Mailing Address of Publisher, Editor, and Managing Editor (Do not leave blank):  
Publisher (Name and complete mailing address): Richard L. Halbert, P.O. Box 447 / 111 East 17th Street, Falls City NE 68355  
Editor (Name and complete mailing address): Richard L. Halbert, P.O. Box 447 / 111 East 17th Street, Falls City NE 68355  
Managing Editor (Name and complete mailing address): Nikki McKim, 1709 STONE ST, Falls City NE 68355

10. Owner (Do not leave blank. If the publication is owned by a corporation, give the name and address of the corporation immediately followed by the names and addresses of all stockholders owning or holding 1 percent or more of the total amount of stock. If not owned by a corporation, give the names and addresses of the individual owners. If owned by a partnership or other unincorporated firm, give its name and address as well as those of each individual owner. If the publication is published by a nonprofit organization, give its name and address.)  
Full Name: Richard L. Halbert  
Complete Mailing Address: P.O. Box 447 / 111 East 17th St., Falls City NE 68355

13. Publication Title: Falls City Journal

14. Issue Date for Circulation Data Below: 09/23/2020

15. Extent and Nature of Circulation:

		Average No. Copies Each Issue During Preceding 12 Months	No. Copies of Single Issue Published Nearest to Filing Date
a. Total Number of Copies (Net press run)		1473	1451
b. Paid Circulation (By Mail and Outside the Mail)	(1) Mailed Outside-County Paid Subscriptions Stated on PS Form 3541 (Include paid distribution above nominal rate, advertiser's proof copies, and exchange copies)	448	440
	(2) Mailed In-County Paid Subscriptions Stated on PS Form 3541 (Include paid distribution above nominal rate, advertiser's proof copies, and exchange copies)	1025	1011
	(3) Paid Distribution Outside the Mail Including Sales Through Dealers and Carriers, Street Vendors, Counter Sales, and Other Paid Distribution Outside USPS®	556	556
	(4) Paid Distribution by Other Classes of Mail Through the USPS (e.g., First-Class Mail®)	0	0
c. Total Paid Distribution (Sum of 25b (1), (2), (3), and (4))		2029	2007
d. Free or Nominal Rate Distribution (By Mail and Outside the Mail)	(1) Free or Nominal Rate Outside-County Copies Included on PS Form 3541	0	0
	(2) Free or Nominal Rate In-County Copies Included on PS Form 3541	0	0
	(3) Free or Nominal Rate Copies Mailed at Other Classes Through the USPS (e.g., First-Class Mail)	0	0
	(4) Free or Nominal Rate Distribution Outside the Mail (Carriers or other means)	15	15
e. Total Free or Nominal Rate Distribution (Sum of 15d (1), (2), (3), and (4))		15	15
f. Total Distribution (Sum of 15c and 15e)		2064	2042
g. Copies not Distributed (See Instructions to Publishers #4 (page 83))		100	100
h. Total (Sum of 15f and 15g)		2164	2142
i. Percent Paid (15c divided by 15f times 100)		98.34	98.29

\* If you are claiming electronic copies, go to line 16 on page 3. If you are not claiming electronic copies, skip to line 17 on page 3.

**UNITED STATES POSTAL SERVICE® (All Periodicals Publications Except Requester Publications)**

**Statement of Ownership, Management, and Circulation**

16. Electronic Copy Circulation

		Average No. Copies Each Issue During Preceding 12 Months	No. Copies of Single Issue Published Nearest to Filing Date
a. Paid Electronic Copies		45	45
b. Total Paid Print Copies (Line 15c) + Paid Electronic Copies (Line 16a)		2074	2052
c. Total Print Distribution (Line 15f) + Paid Electronic Copies (Line 16a)		2109	2087
d. Percent Paid (Both Print & Electronic Copies) (16b divided by 16c times 100)		98.34	98.32

I certify that 95% of all my distributed copies (electronic and print) are paid above a nominal price.

17. Publication of Statement of Ownership:  
 If the publication is a general publication, publication of this statement is required. Will be printed.  Publication not required.  
on the 09/30/2020 issue of this publication

18. Signature and Title of Editor, Publisher, Business Manager, or Owner:  
Richard L. Halbert, Publisher  
Date: 9/25/20

I certify that all information furnished on this form is true and complete. I understand that anyone who furnishes false or misleading information on this form or who omits material or information requested on the form may be subject to criminal sanctions (including fines and imprisonment) and/or civil sanctions (including civil penalties).

Village of Salem

VILLAGE OF SALEM

The Salem Village Board will be accepting bids for snow removal for the 2020-2021 winter season. Bidders are required to bid by the hour, and provide their own equipment.

Carolyn Glathar Village Clerk 402-278-2816

Village of Salem

VILLAGE OF SALEM 2020 2021 BUDGET HEARING SEPTEMBER 15, 2020

Chairman Kenneth Strauch opened the 2020-2021 Budget hearing at 8:00 p.m. in the Salem Community Building. Chairman Strauch stated that notice of the budget hearing was published in the September 10, 2020 edition of the Falls City Journal.

Carolyn Glathar Village Clerk

Village of Rulo

Village of Rulo Board of Director's Meeting Minutes August 10, 2020 at 6:00 pm Rulo Library

Trevis Keller, Chairman opened the meeting at 6:30 p.m. New Business: Proposal for Village Engineer for FEMA projects. Four engineers were sent requests for qualification. A motion was made by Nathan Popejoy to accept JEO as our engineer as they have previously done some projects for Rulo in the past.

Kim Koelzer returned to our meeting and the Village Board entered into an agreement on the boat dock.

Nemaha N.R.D.

The Nemaha Natural Resources District Board of Directors will hold their regular meeting at 8:00 p.m. Thursday, October 8, 2020 at the NRD headquarters in Tecumseh, Nebraska.

Village of Shubert

Regular Monthly Meeting September 9, 2020 Shubert Library

The Village Board of Shubert, NE held the monthly board meeting on September 9, 2020 in the Shubert Library. Chairman Gary Hays opened the regular meeting at 7:00 PM with the following board members present: Kim Dunn, Linda Patchen and Will Surman.

Jennifer Buchner Village Clerk

Table with 2 columns: Name, Amount. Lists various departments and their respective budget amounts, such as Dearborne National (-61.92), NPPD - Fire Barn (-34.21), etc.

City Council

Falls City Council Agenda City Council Chambers, 2307 Barada Street Falls City, NE 68355 Phone (402) 245-2707 October 5, 2020 6:00 P.M.

The City Council may vote to go into Closed Session on any agenda item as allowed by State Law. ROUTINE BUINESS 1. Annoucement of Open Meetings Act.

Any item listed on the Consent Agenda may, by the request of any single Council Member, be considered as a separate item under the Regular Agenda Section of the agenda. OLD BUSINESS REGULAR BUSINESS 1. Public Hearing – Conditional Use Permit for a childcare center – 715 Fulton Street – Block 224, Original Town Lots 7,8,9,10,11 and 12 (See Attachment).

Village of Shubert

VILLAGE OF SHUBERT PUBLIC HEARING FOR THE FINAL READING OF BUDGET September 21, 2020

Chairman Gary Hays called the Public Hearing of the 2020-2021 Budget of the Shubert Village Board to order at 7:00 PM, on September 21, 2020, in the Shubert Library. Other board members present were Kim Dunn, Linda Patchen, and Tom Borrego.

Jennifer Buchner Village Clerk

Village of Stella

Village of Stella Board of Trustees Budget Hearing, Tax Hearing, Street Hearing and Regular Meeting, September 14, 2020 at 7:00 P.M at the Stella Community Building

Present: Rick Ramer, Heath Stanley, Jerry Joy and Jim Donahoe. Absent: Chasity Davis Guests: Paulina Gossman and Pastor John States The Budget Hearing was called to order at 7:00 P.M. Roll call was taken. Chairperson Joy noted the posting of the open meeting act.

Committees: Streets – Still working on 3rd St repair. Donahoe will check with Hein Construction about sweeping excess gravel from street. Discussion on tree trimming on the street by Gary Hoak. Will contact the county. Lights - Ok. Park – Ok. Tree has been trimmed after storm damage.

Vicki Owings, Clerk

Village of Salem

VILLAGE OF SALEM MINUTES AUGUST 4, 2020

The Salem Village Board met August 4, 2020 at 7:30 p.m. in the Community Building. Chairman Strauch called the meeting to order. Kean and Catlin answered roll. Voge and Wesel were absent.

Carolyn Glathar Village Clerk

CLAIMS: OPPD 404.39 RURAL WATER 1944.30 WATER TESTINGS 51.00 WATER OPERATOR 650.00 WATER DEPOSIT 400.00 SCHENDEL PEST CONTROL 73.00 FC JOURNAL 11.61 CLERK SALARY 450.00 STATELINE PROPANE 2260.00 MOWING 520.00 CHECKS AND DEPOSIT BOOKS 100.00 TONY BROWN 100.00 HOMETOWN FLORAL 52.37

Board of Equalization

RICHARDSON COUNTY BOARD OF EQUALIZATION SEPTEMBER 15, 2020 CALL TO ORDER

The Richardson County Board of Equalization was called to order by Chairman Sickel at 8:45 a.m. on Tuesday, September 15, 2020. Roll call was answered by Commissioners Frank, Caverzagie and Sickel; County Assessor, Pam Vice and Clerk Eickhoff.

TAX LIST CORRECTION

County Assessor, Pam Vice presented to the Board a tax list correction. Motion was made by Sickel to approve one tax list correction as presented by Assessor Vice.

ADJOURNMENT

Motion was made by Sickel to adjourn the meeting at 8:55 a.m. Motion seconded by Frank. ROLL CALL VOTE: Frank-aye, Caverzagie-aye, Sickel-aye. Motion carried.

David D. Sickel, Chairman Mary L. Eickhoff, County Clerk

County Commissioners

RICHARDSON COUNTY BOARD OF COMMISSIONERS SEPTEMBER 15, 2020 CALL TO ORDER

The regular meeting of the Richardson County Board of Commissioners was called to order by Chairman Sickel at 9:00 a.m. on Tuesday, September 15, 2020. Roll call was answered by Frank, Caverzagie and Sickel. The Invocation was given by Chairman Sickel and the Pledge of Allegiance was led by Commissioner Frank.

ROAD DEPARTMENT

Highway Superintendent, Steve Darveau, Jr. met with the Board to update them on the routine maintenance being done this week on County roads and bridges. Quotes for a skid steer shredder attachment was presented to the Board for review and the purchase of a Vail X-Series for \$10,487 from Merz Farm Equipment of Falls City was approved.

TYLER COOPER, COUNTY BLDG MTC

Tyler Cooper, County Building Maintenance Technician reviewed with the Board quotes received for the repairs to the plumbing in the Courthouse. An additional quote was received from Jones Air Conditioning, Inc. and was reviewed with the Board.

HUMBOLDT SHARES, INC.

Mark Joy and Crystal Dunekacke representing the Humboldt Shares, Inc. presented a quarterly report on the activity being done by Humboldt Shares and what improvements are being made to the community and the downtown area including the extensive renovation of the auditorium and the funding that has been made available for this through community participation and grant funding.

LAW ENFORCEMENT CENTER

Sheriff Hardesty and Roland Merwin, Chief Deputy Sheriff were unable to meet with the Board this week due to the response to a call. A report was approved for Sheriff Hardesty for fees collected during the month of August, 2020 for \$6,838.01.

EMERGENCY MANAGEMENT AGENCY

Motion was made by Caverzagie to approve a Memorandum of Understanding with Johnson, Nemaha, Pawnee and Otoe counties to comprise the Southeast Nebraska Emergency Notification System (SEN-ENS) (aka Everbrige). Motion seconded by Sickel. ROLL CALL VOTE: Frank-aye, Caverzagie-aye, Sickel-aye. Motion carried.

PUBLIC HEARING

Chairman Sickel declared that a public hearing is being opened at 11:15 a.m. to hear support, opposition, criticism, suggestions or observations of taxpayers relating to the setting of the Richardson County tax rate at .341406, a different

rate than the prior year of .337391. No one appeared at the hearing. Chairman Sickel declared the hearing closed at 11:25 a.m.

CORRESPONDENCE/OTHER

Adopt FY2020-2021 Budget Motion was made by Sickel that the public budget hearing was held yesterday, September 14, 2020 at 9:00 a.m. and it was duly recorded that no one from the public appeared at the hearing in support of or in opposition that the Richardson County Board of Commissioners adopt Resolution 2020-2021-8 to adopt the FY2020-2021 budget as published. Motion seconded by Caverzagie. ROLL CALL VOTE: Frank-aye, Caverzagie-aye, Sickel-aye. Motion carried. (Resolution Book 25, Page 76)

Resolution 2020-2021-9 Set Tax Rate

Motion was made by Frank to adopt Resolution 2020-2021-9 to set the 2020 tax rate for Richardson County at .341406, a different rate than the prior year of .37391. Motion seconded by Sickel. ROLL CALL VOTE: Frank-aye, Caverzagie-aye, Sickel-aye. Motion carried. (Resolution Book 25, Page 77)

Special Designated Liquor License

Motion was made by Caverzagie to approve a special designated liquor license for Stonebridge Vineyard, Inc. for an event to be held on October 17, 2020 at FC Area Jaycees Community Arena. Motion seconded by Frank. ROLL CALL VOTE: Frank-aye, Caverzagie-aye, Sickel-aye. Motion carried.

CLAIMS

Motion was made by Sickel to allow the payment of all claims that were submitted today. Motion seconded by Frank. ROLL CALL VOTE: Frank-aye, Caverzagie-aye, Sickel-aye. Motion carried. (The claims listed below are available for public inspection at the office of the County Clerk during regular business hours.)

Table with 2 columns: Name, Amount. Lists various contractors and their amounts, such as Armbruster Motor Co., supp (61.95), Brown's Shoe Fit, serv (17.50), Cash-Wa Distributing, supp (1284.11), etc.

ROAD & BRIDGE FUND

Barco Municipal Products, supp..... 476.00 Black Hills Energy, serv.....24.54 City of Humboldt, serv.....100.49 Falls City Auto Supply, supp.....14.10 Martin Marietta Materials, rock..... 14321.86 NPPD, serv.....68.42 NMC, supp.....1923.72 Norris Quarries, rock..... 8455.07 Operation & Expense Acct., reimb..... 104.89 Rulo, Village of, serv.....25.00 Unfirst, serv.....55.10 TOTAL ROAD & BRIDGE FUND \$25,569.19

JUVENILE DIVERSION FUND

Osborne, Laura, reimb.....64.44 TOTAL JUVENILE DIVERSION FUND.....\$64.44

ADJOURNMENT

Motion was made by Caverzagie to adjourn the meeting at 11:27 a.m. Motion seconded by Frank. ROLL CALL VOTE: Frank-aye, Caverzagie-aye, Sickel-aye. Motion carried. The Board will meet again on Tuesday, September 22, 2020 at 9:00 a.m. in the Commissioner's Meeting Room, Courthouse, Falls City. The agenda is kept current at the County Clerk's Office.

David D. Sickel, Chairman Mary L. Eickhoff, County Clerk

Iron Horse removed from Health Alert, Kirkmans still above toxic algae limit

Effective September 24, Iron Horse has been removed from Health Alert. Levels of toxic algae have dropped back down below allowable limits.

Kirkman's Cove, however, is still way above the limit and will, therefore, remain on Health Alert for another week at least, October 1, 2020.

Remember, these are only guidelines. Be vigilant in looking for the slimy green monster out there especially if your four-legged friends are with you.

Though the water may be too cool to swim, they are still tempted by it and could suffer because of it.

When a health alert is issued, signs are posted to advise the public to use caution, and designated swimming beaches are closed during the alert. Recreational boating and fishing are permitted, but the public is advised to use caution and avoid exposure to the water, particularly avoiding any activity that could lead to swallowing the water. Do not let pets get in the water or drink from the lake. People can still use the public areas for camping, picnics and other outdoor activities.

Weekly sampling has been conducted at 52 public lakes since mid-May. The lakes will continue to be monitored weekly through the end of September.

For more information about what to look for, potential health effects from HAB and steps to avoid exposure, please refer to the following Fact Sheet. To view the weekly data for the lakes sampled, go to https://deq-iis.ne.gov/zs/bw/.





# Classified Advertising

**Advertise Today! \$8.25 per column inch/box classifieds**  
Line Ads \$1.50 per line - Cards of Thanks .60¢ per line

Job Market | Local News | School & Education | House & Garden | Food & Drink

To advertise with the Falls City Journal e-mail Nikki at [nikkifcj@sentco.net](mailto:nikkifcj@sentco.net) or call 402-245-2431. Advertising deadline is Friday by Noon for the following week's paper.  
The Falls City Journal • In Print & E-Edition • 402-245-2431 • [www.fcjournal.net](http://www.fcjournal.net) • No Late Submissions-Deadline Friday BY Noon.

The Falls City Journal assumes no responsibility for Employment Opportunity, extra-at-home or other similar ads which are placed in our paper by firms outside our trade area. This newspaper has neither the resources nor the time to investigate the reliability of such offers.

# HELP WANTED

**Fulltime receptionist**  
needed for Johnson Family Health. Hours will be 8:00 to 5:00, Monday thru Friday, and Saturday rotation from 7:45 to 12:00. This position will require answering phones, greeting and directing patients and visitors, taking payments and insurance information, scheduling patient appointments in the EMT. This person must have excellent people skills, strong computer skills, ability to answer a multi-line phone system and be able to multi task in a busy clinic reception area. Please send resume and application or apply in person at Johnson County Hospital, 202 High St., Tecumseh, NE 68450, Attn: Susan H. in Human Resources or email resume to [sheeshelmer@jchosp.com](mailto:sheeshelmer@jchosp.com) 402-335-3361. Applications may also be obtained on our website at [www.jchosp.com](http://www.jchosp.com). Closing date for applications is October 2nd.  
EEO Employer/Vet/Disabled 38-39

**Fulltime Registered Nurse**  
wanted at Johnson County Hospital for the 7 am to 7 am shift and every third weekend. Applicant must have a current RN license in the State of Nebraska. We are currently offering a \$3000.00 free-of-bonus for a fulltime registered nurse that joins our team. We also offer competitive wages, an excellent benefit package and shift differential. Please send resume and application or apply in person at Johnson County Hospital, 202 High St., Tecumseh, NE 68450. Attn: Susan H. in Human Resources or email resume to [sheeshelmer@jchosp.com](mailto:sheeshelmer@jchosp.com) 402-335-3361. Applications may also be obtained on our website at [www.jchosp.com](http://www.jchosp.com). EEO Employer/Vet/Disabled 38-39

**Fulltime LPN**  
wanted at Johnson County Hospital for 12-hour day shift, 36 hours per week and every third weekend. Applicant must have a current LPN license in the State of Nebraska. We offer competitive wages, an excellent benefit package and shift differential. Please send resume and application or apply in person at Johnson County Hospital, 202 High St., Tecumseh, NE 68450. Attn: Susan H. in Human Resources or email resume and application to [sheeshelmer@jchosp.com](mailto:sheeshelmer@jchosp.com) 402-335-3361. Applications may also be obtained on our website at [www.jchosp.com](http://www.jchosp.com). EEO Employer/Vet/Disabled 38-39

**Fulltime Certified Nurse Aide**  
wanted for Johnson County Hospital. This position is 12-hour day shift, 7 am to 7 pm, 36 hours per week and every other weekend. Computer skills required and recent aide experience preferred. We offer an excellent benefit package and shift differential. Please send resume and application or apply in person at Johnson County Hospital, 202 High St., Tecumseh, NE 68450. Attn: Susan H. in Human Resources or email resume to [sheeshelmer@jchosp.com](mailto:sheeshelmer@jchosp.com) 402-335-3361. Applications may also be obtained on our website at [www.jchosp.com](http://www.jchosp.com). EEO Employer/Vet/Disabled 38-39

**Sabetha Community Hospital is accepting applications for the following positions:**

- **Part-Time Cardiac Rehab Registered Nurse:** 10-15 hours per week providing care that focuses on the preventive and restorative healthcare needs of the cardiovascular patients.
- **Full-Time Outpatient Licensed Practical Nurse:** 36 hours per week caring for patients and assisting providers in the outpatient clinic.
- **Full-Time Insurance Biller for Rural Health Clinic:** 40 hours per week facilitating a smooth flow of patient billing and collections through data entry and patient assistance.
- **Part-Time Evening Nurse Assistant:** 24-32 hours a week and every 3rd weekend. Responsible for direct and indirect patient care activities under the direct supervision of the charge nurse.

An excellent base salary is offered for these positions including vacation, holiday, and sick time. Benefits may include group health with dental, eye and a prescription drug rider, pension plan, group life insurance with dependent life, disability, long term care, TDA's, cancer plan and numerous other benefits.

If interested in these opportunities visit the hospital's website at [www.sabethahospital.com](http://www.sabethahospital.com) or call Julie Holthaus, Human Resource Director at 785-284-2121 ext. 1584. 38-39

**TENDER TRUCK DRIVER**  
Helena Agri-Enterprises, LLC., a national, agricultural chemical company, has an immediate opening for a full time, part-time, or as needed seasonal Tender Truck Driver and General Laborer at our location in Falls City.

**Requirements:** high school diploma or equivalent, Class B CDL or higher or the capability to get CDL, and the ability to operate a forklift.

**Responsibilities:** makes deliveries, load and unloads product, uses a forklift, and performs general warehouse duties. Please apply in person at 423 Wilson Street, Falls City, NE 68355.  
Pre-employment drug screen and background check required.  
EEO/AA/M/F/Disabled/Veteran 38-39

**NOTICE**  
The City of Falls City Police Department is currently seeking a full-time radio dispatcher with a competitive starting wage and paid training. Applications will be received at the office of the City Clerk, at 2307 Barada Street, Falls City, Nebraska until 4:00 P.M. on October 6, 2020. The Job description and qualifications for the position are available at the office of the City Clerk. The City of Falls City is an Equal Opportunity Employer.  
Gary Jorn, City Clerk 38-40

**District Court is accepting applications for the Bailiff position, to work with the District Judge in the First Judicial District, primarily including Otoe, Nemaha, and Richardson Counties.**

This candidate will represent the court system in a professional manner. He/she should possess excellent communication skills and be proficient in Microsoft Word, Excel, and Outlook. The duties of the position include composing a variety of forms and correspondence, scheduling and keeping the Judge's calendar, working directly with the District Court staff and attorneys, managing the courtroom during regular court days, and managing jurors during jury trials. This is not a courtroom security position; it is an administrative position. Candidates must travel to all counties in the District for court. Starting pay will be \$20.00 an hour, plus health benefits, retirement plan, paid vacation time and holiday pay.

To apply, contact the District Clerk's office in your county for an application. Return application and resume to the District Clerk's office before October 15, 2020. The address of the District Clerk's office is: Clerk of District Court, 1700 Stone Street #301, Falls City, NE 68355.  
We are an Equal Opportunity Employer 39-40

**Fulltime Housekeeper**  
wanted at Johnson County Hospital. This position is daytime hours Monday thru Friday and every third Saturday morning. Prefer experience cleaning in a large facility, but will train the right person. We offer an excellent benefits package and competitive pay. Send resume and application or apply in person at Johnson County Hospital, 202 High St., Tecumseh, NE 68450. Attn: Susan, Human Resources 402-335-3361 or email resume to [sheeshelmer@jchosp.com](mailto:sheeshelmer@jchosp.com). EEO Employer/Vet/Disabled 39-40

**We're Hiring!**

**Position: Parts Sales Professional**  
**Location: Hiawatha, Kansas**

We are taking applications for the position of Parts Sales Professional. These outgoing, detail-oriented persons duties will primarily involve identifying and providing complete parts solutions for customers. You must enjoy face-to-face and phone interactions with customers on a consistent basis and be willing to provide a quality customer experience through knowledge, use of systems, and process execution. We need a friendly, loyal, accurate, and outgoing person who wants to be part of a team-oriented environment. Please send your resume to [derrchad@hiawathajd.com](mailto:derrchad@hiawathajd.com).

 **Hiawatha IMPLEMENT** 39-40

**MORE ON PAGE 16**

**FARM HELP WANTED**  
One full time, two part-time, Late model John Deere equipment. Registered Angus cattle, pay based on experience. Housing available. START IMMEDIATELY! Contact: Chris at 816-261-4459. 36-tf

**CASINO WHITE CLOUD**  
NOW ACCEPTING APPLICATIONS for the following positions:

**NOW OFFERING \$1,000 NEW HIRE BONUS**

- Cashier/Server (FT, Days/Nights)
- Cook II/Dishwasher (FT, Days/Nights)
- Cage Cashier/Fill Banker (FT, Days/Nights)
- Food & Beverage Manager (FT, Days)
- Bingo Cashier/Floor Clerk (FT, Days/Nights)
- Count Team (FT, Days)


We offer: Competitive Wages, Employer Paid Medical, Dental, Vision & Life Insurance for Employees

Other Benefits: Paid Vacation, Sick Pay, 401K, Family Medical and Dental Plans

Pre-employment substance abuse testing and a background investigation are required.

Casino White Cloud is an equal opportunity employer.

**HIRING 18 YEARS & OLDER**  
ALL POSITIONS (excluding bar)



7 Miles West of White Cloud, KS  
Phone: 1-877-652-6115 39

**WORK WANTED**  
Yard clean up, bush trimming and small trees. 402-245-1120. 35-42

**FOR SALE**

**WE HAVE:**  
**THE BEST SUSPENDERS BY: HOLD UP**  
Great Selection - wide, narrow, many colors including, Stars & Stripes, Safety Orange & Mechanic Style.  
We also have hip clips!

**NEW WILLOW TREE ANGELS ARE IN!**  
Magnolia Ornament  
Little One  
Quiet Wonder  
Butterfly Ornament  
Love You  
Journey Ornament  
A great gift for all occasions!

**FARM & CITY SUPPLY, ACE HARDWARE.**

**Want to support local business? Get a subscription to the Falls City Journal**

E-Edition only (No Print) \$41  
Within 50 Miles of Falls City  
6 Month Print Subscription (Includes Free E-Edition) - \$28

Within 50 Miles of Falls City  
12 Month Print Subscription (Includes Free E-Edition) - \$46

50-150 Miles from Falls City  
6 Month Print Subscription (Includes Free E-Edition) - \$30

50-150 Miles from Falls City  
12 Month Print Subscription (Includes Free E-Edition) - \$52

Over 150 Miles from Falls City  
6 Month Print Subscription (Includes Free E-Edition) - \$33

Over 150 Miles from Falls City  
12 Month Print Subscription (Includes Free E-Edition) - \$57

**All subscriptions paid for with credit card usually include a credit card fee, but that has been waived given the current situation.**  
You may also mail a check to 1709 Stone Street, Falls City, NE 68355.

**WANTED**  
AMERICAN WALNUT. Buying standing walnut timber, 25 or more. Call 816-232-6781 in St. Joseph for details. 47-tf

**FOR RENT**  
Pack Rat Storage, Units Available. 402-245-7236. 49-TF

# Irish FB team rolls the Eagles

(Continued from Page 11)

pass to make it 46-0 with 6:29 to go in the third.

Johnson-Brock finally broke into the scoring column with 6:02 to play in the game. After a bad snap by the Irish on a punt attempt, the Eagles took over at the SH 11-yard line. Four plays later, the ball carrier broke the plane for the game's final score to make it 46-6.

The Irish outgained the Eagles on the ground 181-27 and through the air, 139-87 for a total output advantage of 320-114. The Irish defense also forced four interceptions and had a blocked punt. Casteel led the Irish with 75 yards and three touchdowns on 11 attempts. Will Ewers was next with 45 yards rushing on six carries. Jordan did the bulk of SH's passing, completing 9-13 pass attempts for 133 yards and a TD. Fiegenger had four catches for 68 yards and Keithley added 35 yards on four grabs.

Nachtigal had a big night for the Irish defense, finishing with seven tackles, including three sacks and a blocked punt. Casteel added nine stops and Froeschl had six. Jordan has two interceptions and Keithley and Fiegenger each had one.

"Our defense got us some turnovers this week, that's what we need to continue doing," said Coach Doug Goltz. "Our first-team defense didn't give up a TD, had four interceptions and we blocked a punt. Our offense was efficient too."

The 4-1 Irish will travel to Humboldt on Friday, October 2, to take on the 0-4 HTRS Titans.

# FCPS staff member and student test positive for COVID some students asked to quarantine

(Continued from Page 1)

fever (measured or subjective), chills, cold/shivering, muscle pain, headache, sore throat, nausea, vomiting, diarrhea. At least one of the following: new cough, shortness of breath, difficulty breathing, loss of taste and/or smell. Has at least one symptom and answers "yes" to: Is there someone in your household who is currently in quarantine or currently positive for COVID-19? If the answer is yes to any of these questions or have other questions, keep your child at home and contact your school."

Helmick did say that quarantine can affect a person's mental health and they are trying to prevent that as much as possible. "If you know someone who is struggling, please contact the health department and/or the school for information regarding support. We are using the information we have collected to teach others how to protect themselves and to improve our classrooms for better social distancing. Classrooms do not always have enough room to maintain a six-foot distance between each person. The only way to stop quarantine is wearing a mask in those situations; therefore, we are still strongly recommending that everyone wears a mask at all times."

The Southeast District Health Department (SEDHD) reports a new total of 59 cases in Richardson County as of Friday, September 25, 2020.

According to the Southeast District Health Department COVID-19 Dashboard, 56.6 percent of cases by exposure are community; 36.8 percent are direct contact and 6.6 percent are travel.

Four-point one percent of cases are hospitalized and 95.9 are not hospitalized.

Confirmed cases by age group are 1.3 percent in the 0-9 age group; 16.4 percent in the 10-19 age group; 24.1 percent in the 20-29 age group; 11.6 percent in the 30-39 age group; 9.5 percent in the 40-49 age group; 17.2 percent in the 50-59 age group; 10.6 percent in the 60-69 age group; 4.8 percent in the 70-79 age group and 4.5 percent in the

80+ age group.

There have been 156 new cases in the District in the last 30 days.

All identified close contacts will be asked to self-quarantine. Individuals with symptoms consistent with COVID-19 should self-isolate to avoid transmitting the virus to others.

As of Sunday, September 27 the total cumulative confirmed

cases of COVID-19 within the district were 399.

The Hiawatha School board voted last Friday to remain on remote learning at their elementary school through October 9, but resume on-site learning at the middle school and high schools this past Monday. This came after moving to all remote learning due to extensive quar-

antining due to COVID exposure in the elementary school. The board will meet again on October 5.

Local COVID-19 testing available every Wednesday from 7:30 a.m. to 9:30 a.m. at Community Medical Center in Falls City. Pre-Register at TestNebraska.com. Testing is free through Test Nebraska.

**Wear a mask. Stay in school. COVID-19 School Scenarios**  
with no documented transmission in the classroom setting

**EVERYONE MASKED**  
When a masked person tests positive and close contacts are wearing masks

COVID + Close Contacts  
ISOLATE SELF-MONITOR NO QUARANTINE

**CLOSE CONTACTS MASKED**  
When an unmasked person tests positive and close contacts are wearing masks

COVID + Close Contacts  
ISOLATE QUARANTINE

**CLOSE CONTACTS UNMASKED**  
When a masked person tests positive and those exposed are not wearing masks

COVID + Close Contacts  
ISOLATE SELF-MONITOR NO QUARANTINE

**NO ONE MASKED**  
When an unmasked person tests positive and close contacts are not wearing masks

COVID + Close Contacts  
ISOLATE QUARANTINE

**Close Contact:** Occurs when an individual has been within 6 feet of a person, whom tested positive for Covid-19, for at least 15 minutes.

**Self-Monitor:** Perform a self-check or be monitored twice daily for a fever of 100.4 F or above and symptoms for fourteen days. Coordinate with your health care provider and local public health department.

**Quarantine:** May be required when an individual has had a close contact. These individuals shall remove themselves from situations where others could be exposed/infected, and self-monitor for symptom development.

**Isolation:** Required when individual has tested positive for COVID-19 or develops a fever of 100.4 F or above and/or one or more of the following symptoms: a sudden onset of a cough, sudden onset of shortness of breath, or sudden loss of taste or smell. Individuals should remove themselves or be removed from situations where others could be exposed/infected.

September 23, 2020

Graphic provided by Falls City Public Schools

**Classic Club 8 GOLF**

STARTING Sept. 28 thru the rest of year Classic Club 8 is offering FREE golf with a 2021 membership & payment of cart rental for the rental for the rest of 2020, for New members! There's a form and 25% deposit down. Stop in to the club to pay & fill out paperwork

**OCTOBER 2020 CASINO GRAND RE-OPENING - OCTOBER 24th**

OVER 530,000 IN PRIZES TO BE GIVEN AWAY INCLUDING A POLARIS RANGER CREW 1000

First 200 customers will get a gift! FREE hot dogs from 11am-1pm. We will have fireworks at dusk! Everyone actively playing at 11am will get \$20 in free play! Hot Seat Drawings to win up to \$1,000 every 1/2 hour 1pm-10:30pm. Drawings to win up to \$2,500 in CASH every 1/2 hour 11pm-2am. (Excludes the drawing at 1am) Polaris Ranger Crew 1000 drawing at 1am.

**SATURDAY, OCTOBER 17th - CASH AND POLARIS RANGER 500 GIVEAWAY**

Hot Seat Drawings to win up to \$1,000 in CASH or free play every 1/2 hour 1pm-2am, plus win 10 extra entries into the Polaris Ranger drawing at 1am. (Excludes the drawing at 1am) Polaris Ranger 500 drawing at 1am.

**SATURDAY, OCTOBER 31st - HAPPY HALLOWEEN**

Everyone actively playing at 1pm will get \$20 in free play!! Come into the Casino with a Halloween themed t-shirt on and get \$10 in free play!! (Can only receive once) Hot Seat Drawings to win up to \$1,000 in free play every 1/2 hour 1pm-2am.

**SUNDAYS, MONDAYS, TUESDAYS, WEDNESDAYS, & THURSDAYS**

TEXT NOW ALERT - If you get a text now alert on one of these days (Sun. - Thur.) saying you get \$20 in free play, stop by the Player's Club desk and show them your phone text and you will get \$20 in free play! Must have a valid ID. Hot Seat Drawings to win up to \$100 in free play every 1/2 hour 1pm-12am, plus get 5 extra entries into the Polaris Ranger Giveaways and 5 entries for the CASH Drawings on the 24th. (Excludes Mon., Oct. 12th)

**FRIDAYS** - Hot Seat Drawings to win up to \$100 in free play every 1/2 hour 1pm-5pm, plus get 5 extra entries into the Polaris Ranger Giveaways!! Hot Seat Drawings to win up to \$500 in free play every 1/2 hour 6pm-2am, plus get 5 extra entries into the Polaris Ranger Giveaways and 5 entries for the CASH Drawings on the 24th.

**SATURDAYS** - Hot Seat Drawings to win up to \$200 in free play every 1/2 hour 1pm-5pm, plus get 5 extra entries into the Polaris Ranger Giveaways!! Hot Seat Drawings to win up to \$1,000 in free play every 1/2 hour 6pm-2am, plus get 10 extra entries into the Polaris Ranger Giveaways!!! (Excludes Sat., Oct. 17th, 24th & 31st)

**MORE OCTOBER EVENTS**

**POLARIS RANGER 500 AND POLARIS RANGER CREW 1000 GIVEAWAY RULES**  
Beginning October 1st, register every day for a chance to win a Polaris Ranger 500 or a Polaris Ranger Crew 1000 to be given away on Saturdays, October 17 & 24th. One entry per day, per person and you must be present to win. The Polaris Ranger 500 drawing will be on October 17th at 1am. The Polaris Ranger Crew 1000 drawing will be on October 24th at 1am. Both tickets will be drawn out of the big barrel. You can win extra entries into these drawings Sunday thru Friday. The tickets will remain in drawing barrel until the last drawing on the 24th. See Player's Club for more details. You're limited to win only one of the Polaris Rangers.

**CASH DRAWINGS ON SATURDAY, OCTOBER 24th RULES** (Excludes the 1am drawing)  
Registration will be on October 24th. Registration tickets will be handed out only on the 24th for everyone to register and get into the small barrel. One entry per person and you must be present to win. You can also win extra entries Sunday thru Friday. These CASH Drawings will be on the 24th from 11pm-2am. You're limited to win only one of the CASH Drawings.

**NEW MEMBERS - GET \$50 IN FREE PLAY FOR SIGNING UP IN OCTOBER!!** (\$25 IN OCTOBER AND \$25 IN NOVEMBER) If you sign up as a new member on the excluded days (Oct. 12, 17, 24 & 31), you will get the full \$50 in free play on November 1st. If you are a current member of the Player's Club and you bring a new member in, you will get \$20 in free play. (Excludes Oct. 12, 17, 24 & 31)

**VETERANS & FIRST RESPONDERS APPRECIATION DAY - OCTOBER 12th**  
Active Military, Veterans, Police Officers, Firefighters and Paramedics/EMTs (you must present valid Military ID, your department ID, or state certificate papers) are invited to join us on Monday, October 12th, where they will receive \$20 in free play.

**BINGO - Daily Drawings** - Initial buy-in drawings daily!!  
**Senior Sunday** - All Seniors (55 and over) get \$10 off their bingo buy-in!! (must have valid ID)  
**Time-Draw Binge** - Every Tuesday - Day one get one of the House Special packs!!  
**Double Action** - Binge on Double Action and have the chance to win up to \$500 extra cash!!  
**Birthday Binge** - Binge in your birthday month you get \$20 in free play. Binge on your birthday and get \$20 in free play!! (must have valid ID with birth date).  
**B-1-N-G-D-Draws** - Binge on the letter of the day of the week and get \$20 in free play!! (B-Tuesday, T-Wednesday, N-Thursday, G-Friday, D-Saturday) Each day has a special letter to binge on for an extra prize. When you binge on that letter of the day, you will get \$20 in free play!! See Bingo Cage for more details!

WWW.CASINOWHITECLOUD.ORG / Toll Free 877-652-6115 / www.Facebook.com/casinowhitecloud

18+ Only. Test Your Club's Test PLAY RESCUE to R141 in sign up. Must be 21 years of age or older to participate in Casino White Cloud Promotions. Management reserves the right to cancel or modify any promotion at any time for any reason without notice. Any alteration, reproduction and/or unauthorized use of promotions will be voided. All drawings will be held until a registration is required for a giveaway.